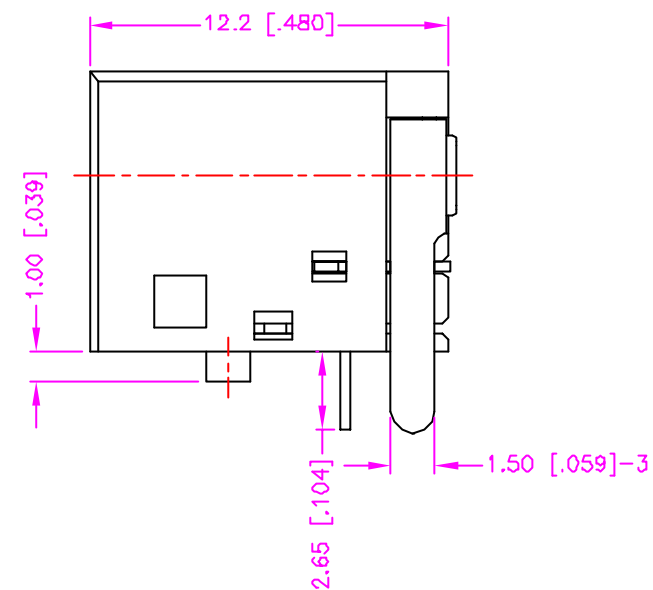
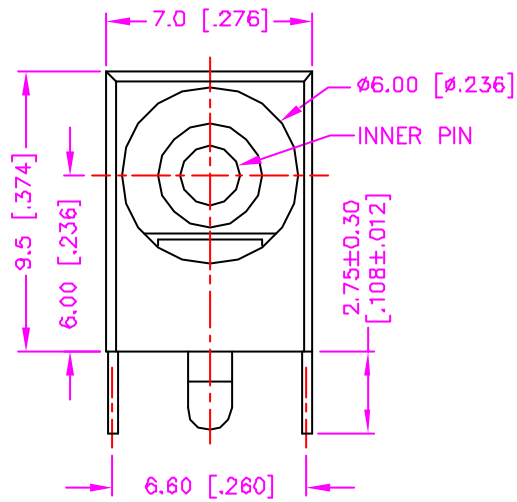


| REV. | DESCRIPTION | DATE |
|------|-------------|---------------|
| — | RELEASE | Apr. 22, 2003 |
| 1 | | |
| 2 | | |



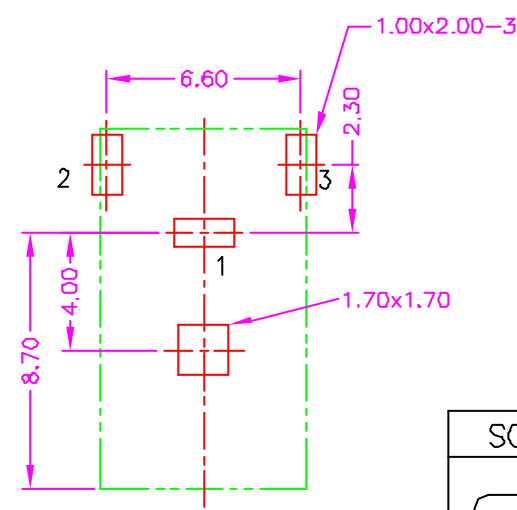
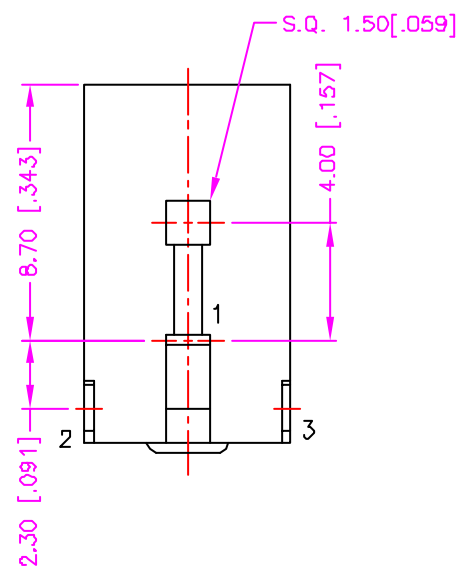
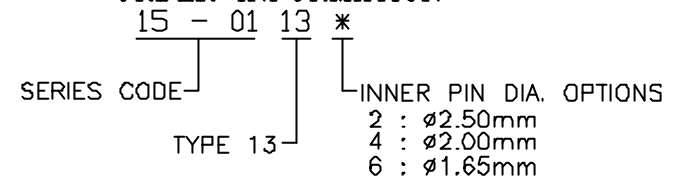
MATERIALS

1. HOUSING : POLYESTER (UL 94V-0), BLACK.
2. TERMINAL : COPPER ALLOY, SILVER PLATING.
(t=0.30mm)
3. INNER PIN : BRASS, NICKEL PLATING.

SPECIFICATION

1. CURRENT RATING : 1.5 AMP. MAX.
2. DIELECTRIC WITHSTANDING VOLTAGE : 250V AC R.M.S. FOR ONE MINUTE.
3. INSULATION RESISTANCE : 100M OHMS MIN. AT 250V DC
4. CONTACT RESISTANCE : 50m OHMS MAX.
5. OPERATING TEMPERATURE : -25°C TO +85°C.
6. DURABILITY : 5000 CYCLES.
7. MATING FORCE : 0.3 ~ 3.0kgs.
8. UNMATING FORCE : 0.3 ~ 3.0kgs.

ORDER INFORMATION



**RECOMMEND P.C.B LAYOUT
TOP VIEW**

| | | | | |
|----------------------|---|-----------------------------------|---|--|
| SCHEMATIC | TOLERANCE .0=±.30 [.012] .00=±.20 [.008] .000=±.XXX .0000=±. ANG.=±3° | DRAWER <i>Katherlin</i> | ASTRON TECHNOLOGY CORP. DC POWER JACK P.C.B. MOUNT, FEMALE | |
| | CHECK <i>ME</i> | APP'D <i>Wisely</i> | | NAME DC POWER JACK P.C.B. MOUNT, FEMALE |
| | UNITS : mm [inch] | PRODUCT SPEC. — | | DRAW NO. C522-0113 |
| | SCALE NONE | SIZE A4 | | SHEET 1 OF 1 |

08005