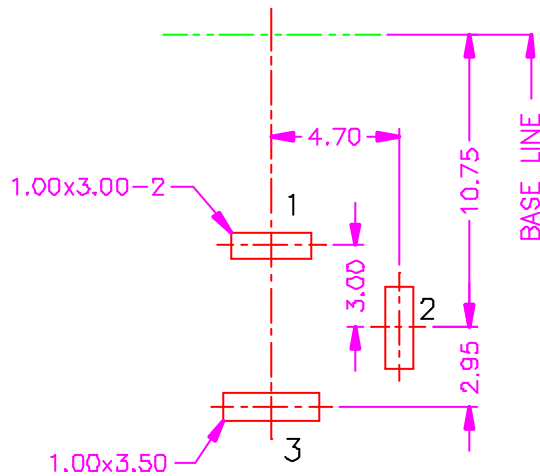
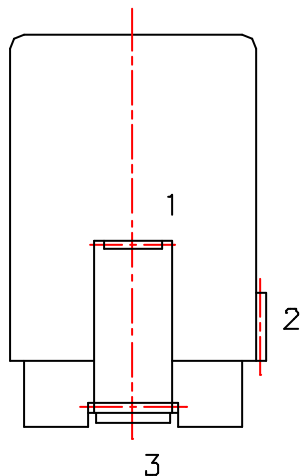
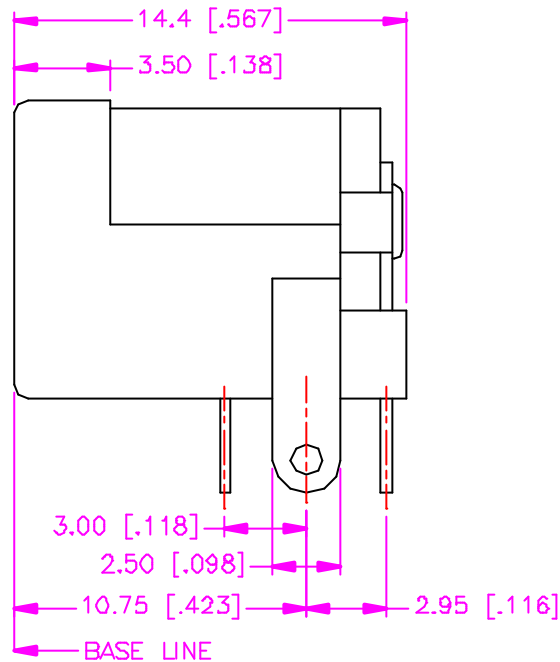
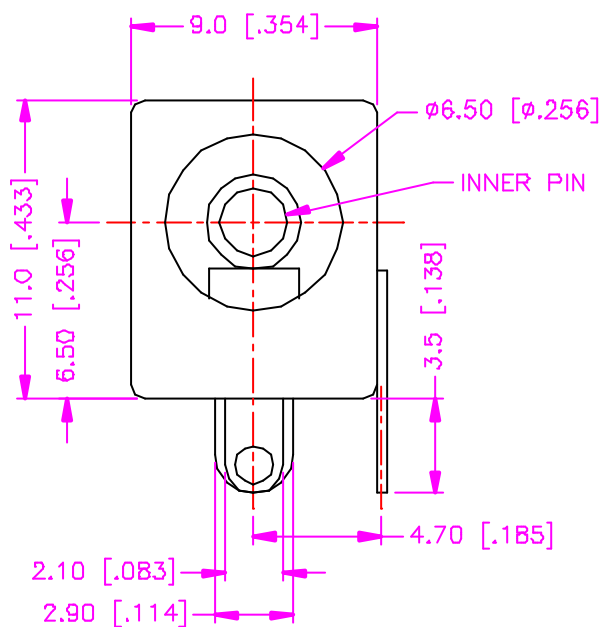


REV.	DESCRIPTION	DATE
—	RELEASE	May 26, 2002
1		
2		



RECOMMEND P.C.B LAYOUT  
 BOTTOM VIEW

## MATERIALS

- HOUSING : POLYAMIDE (UL 94V-0), BLACK.
- TERMINAL : COPPER ALLOY, TIN PLATING.

## SPECIFICATION

- CURRENT RATING : 2.5 AMP. MAX.
- DIELECTRIC WITHSTANDING VOLTAGE : 500V AC R.M.S. FOR ONE MINUTE.
- INSULATION RESISTANCE : 100M OHMS MIN. AT 500V DC
- CONTACT RESISTANCE : 50m OHMS MAX.
- OPERATING TEMPERATURE : -25°C TO +85°C.
- DURABILITY : 5000 CYCLES.
- MATING FORCE : 0.2 ~ 2.0kgs.
- UNMATING FORCE : 0.2 ~ 2.0kgs.

## ORDER INFORMATION

15 - 01 01 \*

SERIES CODE | TYPE 01 | INNER PIN DIA. OPTIONS  
 2 :  $\phi 2.50$ mm  
 4 :  $\phi 2.00$ mm

SCHEMATIC		TOLERANCE	DRAWER	ASTRON TECHNOLOGY CORP.
		.0=±.30 [.012]	<i>Katherlin</i>	
		.00=±.20 [.008]	CHECK <i>Sue</i>	
		.000=±.XXX	APP'D <i>Wisely</i>	DRAW NO. C522-0103
		ANG.=±3°	PRODUCT SPEC. —	
UNITS : mm [inch]		516-0004	SHEET 1 OF 1	REV. A
SCALE NONE	SIZE A4	08005		