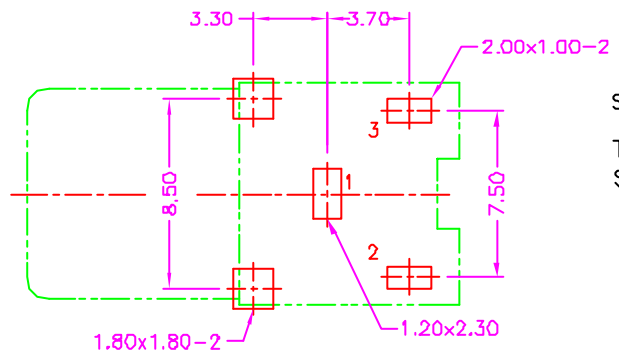
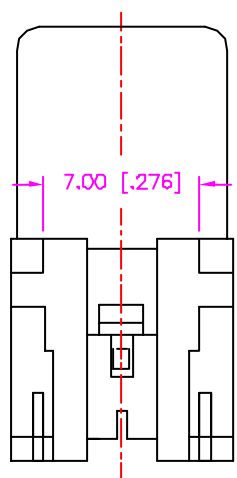
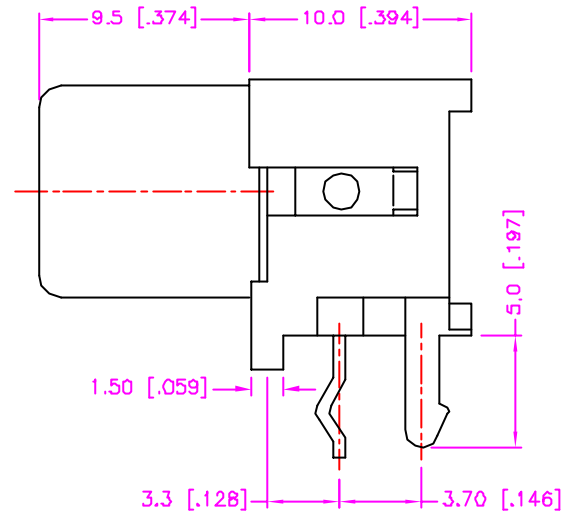
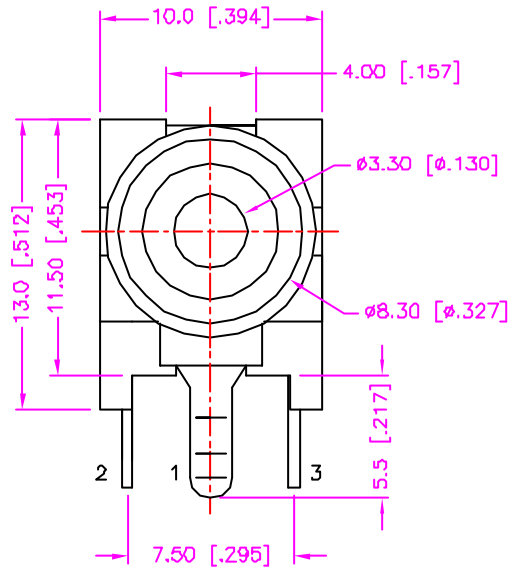


REV.	DESCRIPTION	DATE
—	RELEASE	Jul. 9, 2001
1		
2		



RECOMMEND P.C.B. LAYOUT  
BOTTOM VIEW

**MATERIALS**

1. HOUSING : P.B.T. (UL 94V-0).
2. TERMINAL : COPPER ALLOY, TIN PLATING.
3. BUSHING : SPCC, NICKEL PLATING. (t=0.40mm)

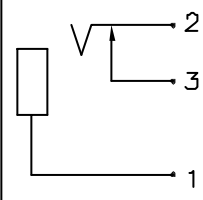
**SPECIFICATION**

1. CURRENT RATING : 0.3 AMP. MAX.
2. DIELECTRIC WITHSTANDING VOLTAGE : 500V AC R.M.S. FOR ONE MINUTE.
3. INSULATION RESISTANCE : 100M OHMS MIN. AT 500V DC.
4. CONTACT RESISTANCE : 50m OHMS MAX.
5. OPERATING TEMPERATURE : -25°C TO +85°C.
6. DURABILITY : 5000 CYCLES.
7. MATING FORCE : 0.4 ~ 3.0kgs.
8. UNMATING FORCE : 0.4 ~ 3.0kgs.

**ORDER INFORMATION**

RCA - 6RS - 3 \*  
 SERIES CODE — HOUSING COLOR OPTIONS  
 TYPE 6, RIGHT ANGLE — BLANK : BLACK  
 SWITCHABLE TYPE — R : RED  
 W : WHITE  
 Y : YELLOW  
 NUMBER OF CONDUCTOR —

**SCHEMATIC**



TOLERANCE  
 .0±.30 [.012]  
 .00±.20 [.008]  
 .000±.XXX  
 .0000±.  
 ANG.=±3°  
 UNITS : mm [inch]  
 SCALE NONE SIZE A4 SHEET 1 OF 1 REV. A

DRAWER *Katherine*  
 CHECK *SUE*  
 APP'D *ALB*  
 PRODUCT SPEC.  
 SHEET 1 OF 1 REV. A

**Astron**  
 ASTRON TECHNOLOGY CORP.  
 NAME  
 RCA JACK - Ø8.30mm  
 RIGHT ANGLE  
 DRAW NO.  
 C517-0006  
 D8005