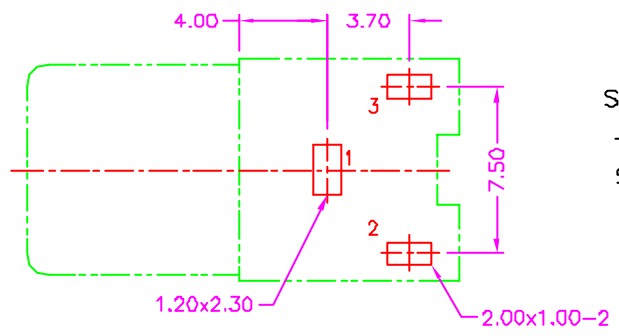
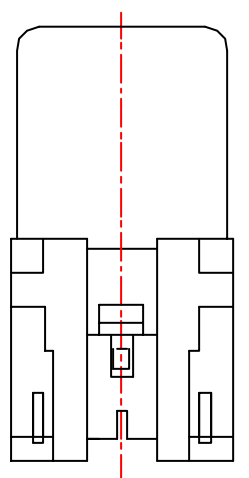
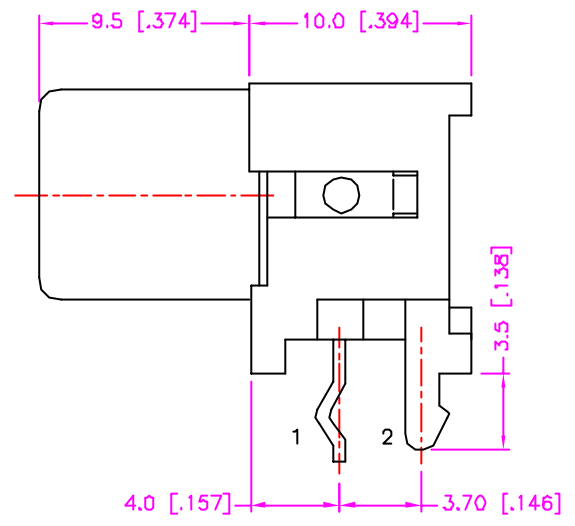
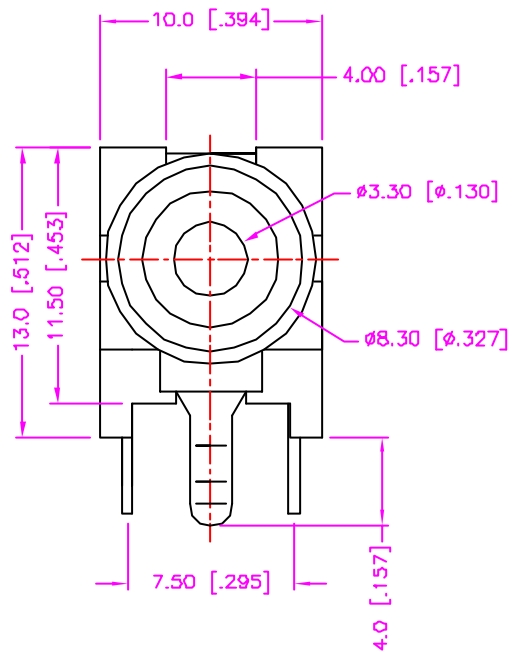


REV.	DESCRIPTION	DATE
—	RELEASE	Aug. 6, 2001
1		
2		



RECOMMEND P.C.B. LAYOUT  
BOTTOM VIEW

**MATERIALS**

- 1. HOUSING : P.B.T. (UL 94V-0).
- 2. TERMINAL : COPPER ALLOY, TIN PLATING.
- 3. BUSHING : SPCC, NICKEL PLATING. (t=0.40mm)

**SPECIFICATION**

- 1. CURRENT RATING : 0.3 AMP. MAX.
- 2. DIELECTRIC WITHSTANDING VOLTAGE : 500V AC R.M.S. FOR ONE MINUTE.
- 3. INSULATION RESISTANCE : 100M OHMS MIN. AT 500V DC.
- 4. CONTACT RESISTANCE : 30m OHMS MAX.
- 5. OPERATING TEMPERATURE : -25°C TO +85°C.
- 6. DURABILITY : 5000 CYCLES.
- 7. MATING FORCE : 0.4 ~ 3.0kgs.
- 8. UNMATING FORCE : 0.4 ~ 3.0kgs.

**ORDER INFORMATION**

RCA - 5RS - 3 \*

SERIES CODE | TYPE 5, RIGHT ANGLE SWITCHABLE TYPE | NUMBER OF CONDUCTOR

HOUSING COLOR OPTIONS  
 BLANK : BLACK  
 R : RED  
 W : WHITE  
 Y : YELLOW

<b>SCHEMATIC</b> 	<b>TOLERANCE</b> .0±.30 [.012] .00±.20 [.008] .000±.XXX .0000±. ANG.=±3°	<b>DRAWER</b> <i>Katherine</i>	 <b>ASTRON TECHNOLOGY CORP.</b> NAME RCA JACK - ø8.30mm RIGHT ANGLE DRAW NO. C517-0005
	<b>CHECK</b> <i>See</i>	<b>APP'D</b> <i>Wisely</i>	
	<b>UNITS : mm [inch]</b> SCALE NONE SIZE A4 SHEET 1 OF 1 REV. A	<b>PRODUCT SPEC.</b> D8005	