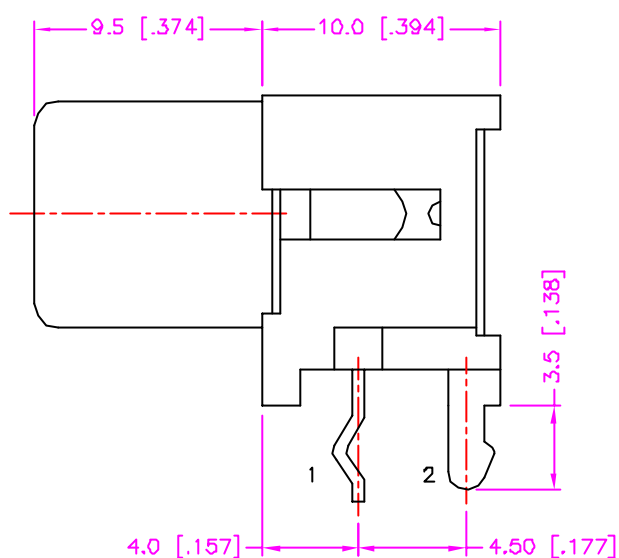
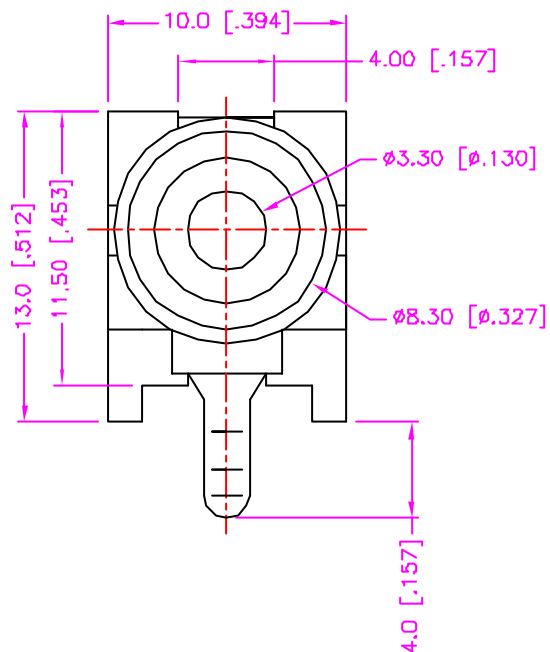


REV.	DESCRIPTION	DATE
—	RELEASE	Aug 24, 2000
1	P/N MODIFY	Aug 24, 2001
2		



MATERIALS

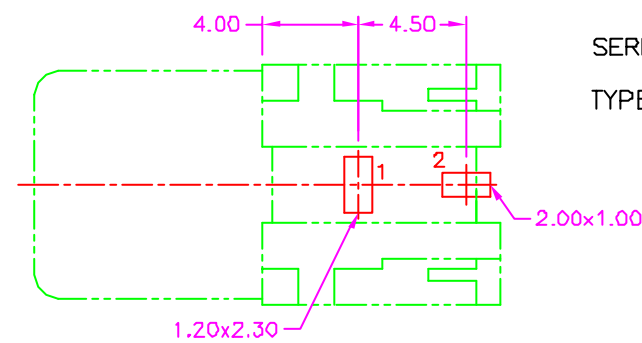
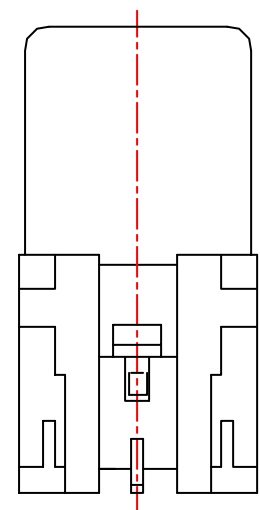
1. HOUSING : P.B.T. (UL 94V-0).
2. TERMINAL : COPPER ALLOY, TIN PLATING. (t=0.60mm)
3. BUSHING : SPCC, NICKEL PLATING. (t=0.40mm)

SPECIFICATION

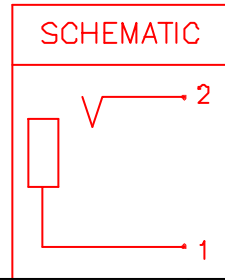
1. CURRENT RATING : 0.3 AMP. MAX.
2. DIELECTRIC WITHSTANDING VOLTAGE : 500V AC R.M.S. FOR ONE MINUTE.
3. INSULATION RESISTANCE : 100M OHMS MIN. AT 500V DC.
4. CONTACT RESISTANCE : 30m OHMS MAX.
5. OPERATING TEMPERATURE : -25°C TO +85°C.
6. DURABILITY : 5000 CYCLES.
7. MATING FORCE : 0.4 ~ 3.0kgs.
8. UNMATING FORCE : 0.4 ~ 3.0kgs.

ORDER INFORMATION

RCA - 5R - 2 *
 SERIES CODE | HOUSING COLOR OPTIONS
 TYPE 5, RIGHT ANGLE | BLANK : BLACK
 NUMBER OF CONDUCTOR | R : RED
 | W : WHITE
 | Y : YELLOW
 | A : ORANGE



RECOMMEND P.C.B. LAYOUT
 BOTTOM VIEW



TOLERANCE .0±.30 [.012] .00±.20 [.008] .000±.XXX .0000±. ANG.=±3°	DRAWER <i>MS</i>	ASTRON TECHNOLOGY CORP.
UNITS : mm [inch]	CHECK <i>Katherine</i>	
SCALE NONE	APP'D <i>ALB</i>	NAME RCA JACK - 8.30mm RIGHT ANGLE
SIZE A4	PRODUCT SPEC. 517-0008	DRAW NO. C517-0004
SHEET 1 OF 1	REV. B	08005