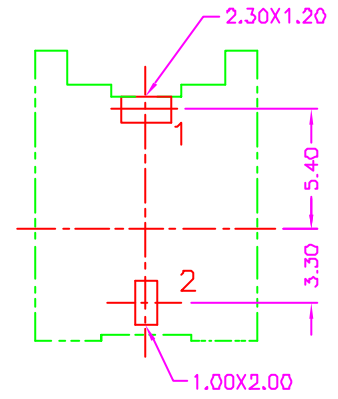
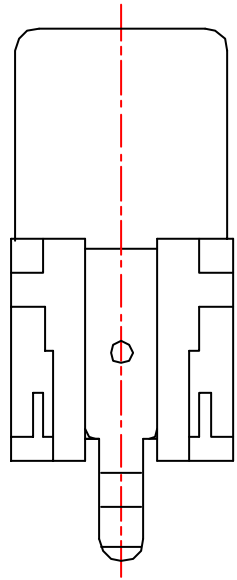
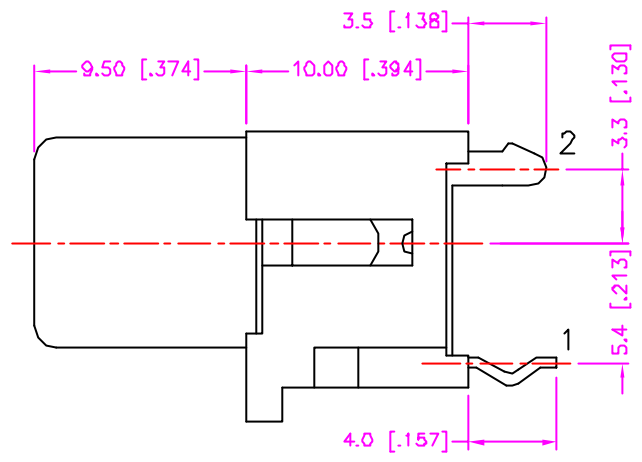
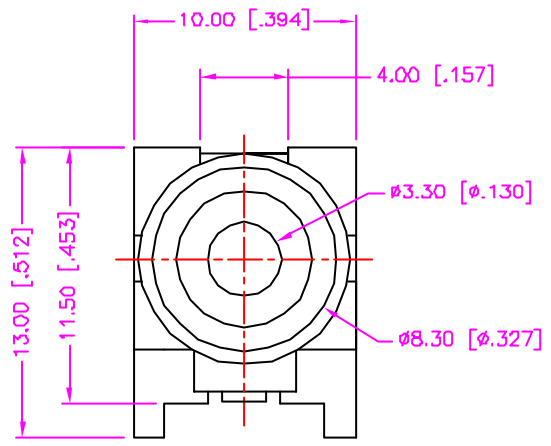


REV.	DESCRIPTION	DATE
—	RELEASE	Apr 28, 2000
1	SPEC. MODIFY	Jun. 1, 2001
2		



RECOMMEND P.C.B. LAYOUT
BOTTOM VIEW

MATERIALS

1. HOUSING : P.B.T. (UL 94V-0).
2. TERMINAL : COPPER ALLOY, TIN PLATING.
3. BUSHING : SPCC, NICKEL PLATING.

SPECIFICATION

1. CURRENT RATING : 0.3 AMP. MAX.
2. DIELECTRIC WITHSTANDING VOLTAGE : 500V AC R.M.S. FOR ONE MINUTE.
3. INSULATION RESISTANCE : 100M OHMS MIN. AT 500V DC.
4. CONTACT RESISTANCE : 30m OHMS MAX.
5. OPERATING TEMPERATURE : -25°C TO +85°C.
6. DURABILITY : 5000 CYCLES.
7. INSERTION FORCE : 0.4 ~ 3.0kgs.
8. EXTRACTION FORCE : 0.4 ~ 3.0kgs.

ORDER INFORMATION

RCA - 5V - 2 *
 SERIES CODE | HOUSING COLOR OPTIONS
 TYPE 5, VERTICAL | BLANK : BLACK
 | R : RED
 | W : WHITE
 NUMBER OF CONDUCTOR | Y : YELLOW

SCHEMATIC 	TOLERANCE .0=±.30 [.012] .00=±.20 [.008] .000=±.XXX .0000=±. ANG.=±3°	DRAWER <i>JUS</i>	 ASTRON TECHNOLOGY CORP. NAME RCA JACK - Ø8.30mm VERTICAL DRAW NO. C517-0003
	UNITS : mm [inch]	CHECK <i>Katherlin</i>	
	SCALE NONE	APP'D <i>WJPSZY</i>	
	SIZE A4	PRODUCT SPEC. —	
SHEET 1 OF 1	REV. B	D8005	