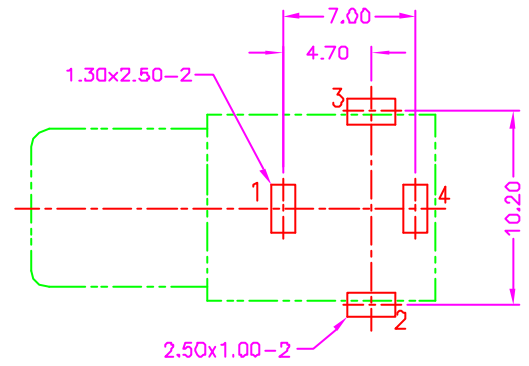
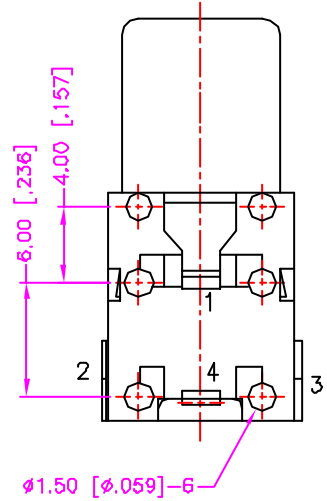
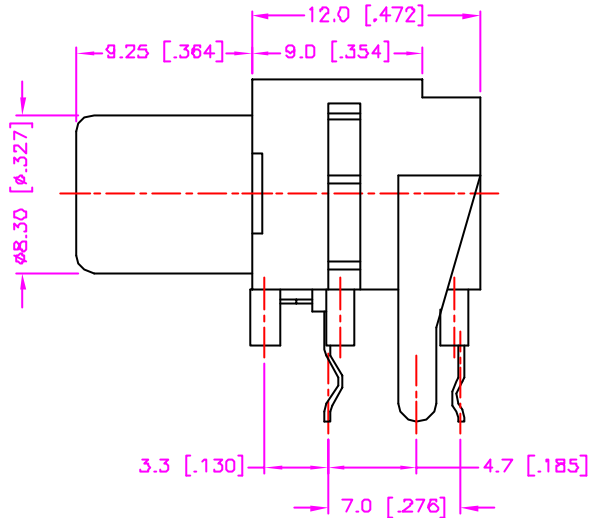
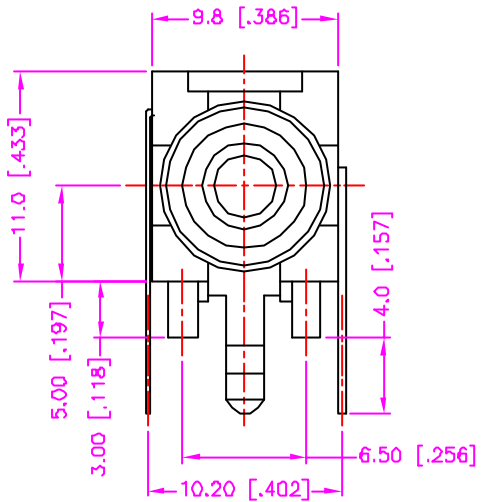


REV.	DESCRIPTION	DATE
—	RELEASE	May 11, 2000
1		
2		



RECOMMEND P.C.B. LAYOUT
BOTTOM VIEW

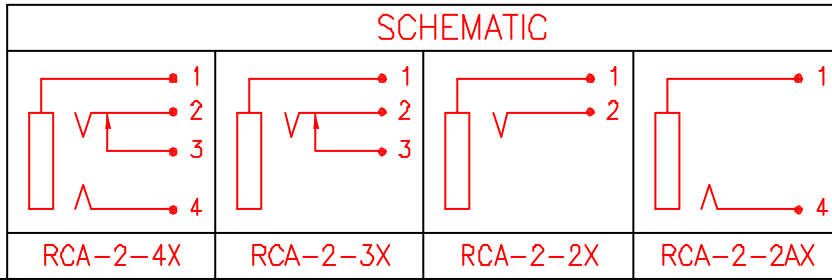
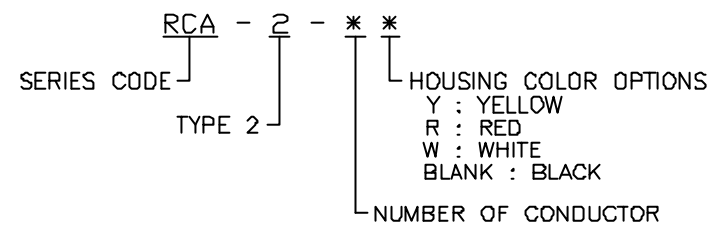
MATERIALS

- HOUSING : P.B.T. (UL 94V-0).
- TERMINAL : COPPER ALLOY, TIN PLATING.
- FRONT SHELL (GROUND) : SPCC, NICKEL PLATING.

SPECIFICATION

- CURRENT RATING : 0.3 AMP. MAX.
- DIELECTRIC WITHSTANDING VOLTAGE : 500V AC R.M.S. FOR ONE MINUTE.
- INSULATION RESISTANCE : 100M OHMS MIN. AT 500V DC
- CONTACT RESISTANCE : 50m OHMS MAX.
- OPERATING TEMPERATURE : -25°C TO +85°C.
- DURABILITY : 5000 CYCLES.
- MATING FORCE : 0.4 ~ 3.0kgs.
- UNMATING FORCE : 0.4 ~ 3.0kgs.

ORDER INFORMATION



TOLERANCE	
.0=±.30 [0.12]	
.00=±.20 [0.08]	
.000=±.XXX	
.0000=±.	
ANG.=±3°	
UNITS : mm [inch]	
SCALE NONE	SIZE A4

DRAWER	<i>Katharina</i>
CHECK	<i>Soo</i>
APP'D	<i>Wisely</i>
PRODUCT SPEC.	—
517-0011	
SHEET 1 OF 1	REV. A

Astron	
ASTRON TECHNOLOGY CORP.	
NAME RCA JACK - ø8.30mm	
DRAW NO. C517-0002	
D8005	