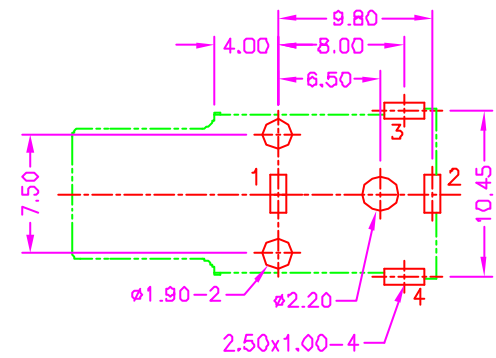
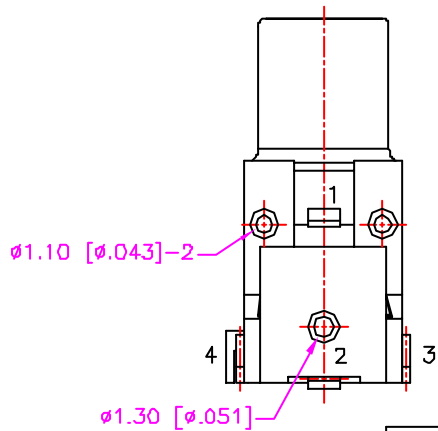
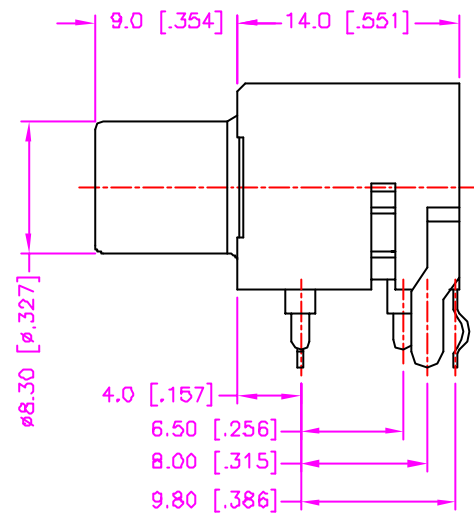
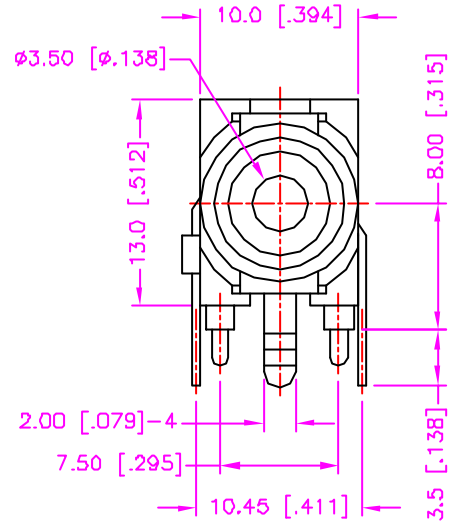


REV.	DESCRIPTION	DATE
—	RELEASE	Mar 24, 2000
△	4 PINS ADD	Apr 20, 2000
△		



RECOMMEND P.C.B. LAYOUT  
BOTTOM VIEW

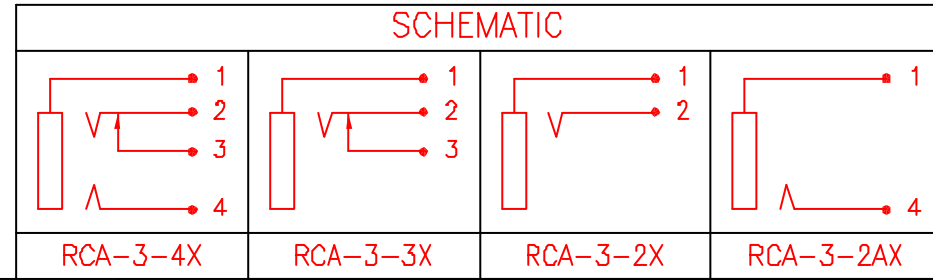
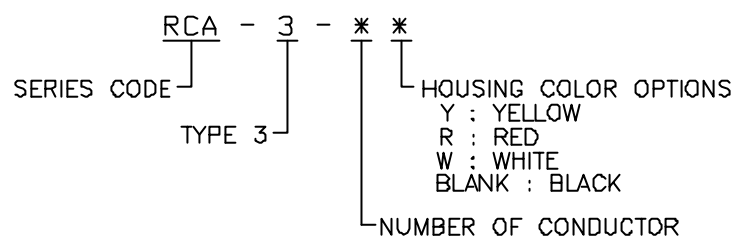
**MATERIALS**

1. HOUSING : P.B.T. (UL 94V-0).
2. TERMINAL : COPPER ALLOY, TIN PLATING.
3. FRONT SHELL (GROUND) : BRASS, NICKEL PLATING.

**SPECIFICATION**

1. CURRENT RATING : 0.3 AMP. MAX.
2. DIELECTRIC WITHSTANDING VOLTAGE : 500V AC R.M.S. FOR ONE MINUTE.
3. INSULATION RESISTANCE : 100M OHMS MIN. AT 500V DC
4. CONTACT RESISTANCE : 50m OHMS MAX.
5. OPERATING TEMPERATURE : -25°C TO +85°C.
6. DURABILITY : 5000 CYCLES.
7. MATING FORCE : 0.4 ~ 3.0kgs.
8. UNMATING FORCE : 0.4 ~ 3.0kgs.

**ORDER INFORMATION**



TOLERANCE .0=±.30 [.012] .00=±.20 [.008] .000=±.XXX .0000=±. ANG.=±3°  UNITS : mm [inch]	DRAWER <i>Katherlin</i>	 ASTRON TECHNOLOGY CORP.	
	CHECK <i>Sue</i>		NAME RCA JACK - Ø8.30mm
	APP'D <i>Wisely</i>	PRODUCT SPEC. —	DRAW NO. C517-0001
	SCALE NONE    SIZE A4	SHEET 1 OF 1    REV. B	D8005