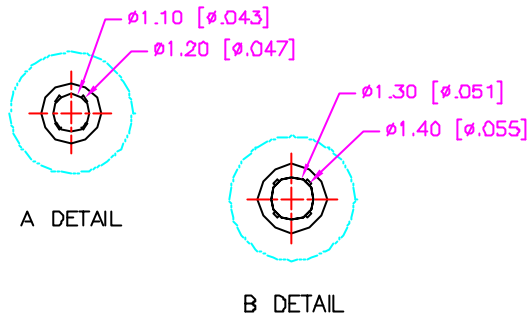
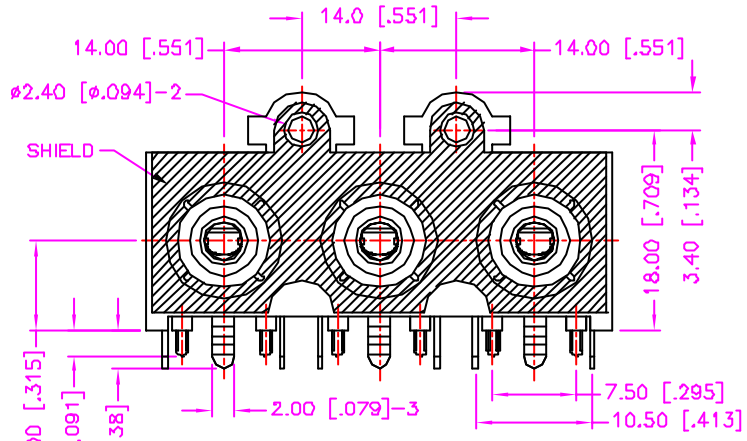


REV.	DESCRIPTION	DATE
—	RELEASE	Jun. 06, 2002
1		
2		



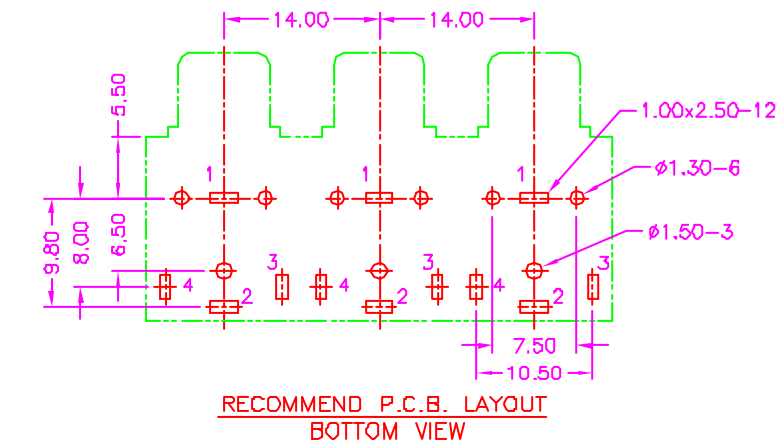
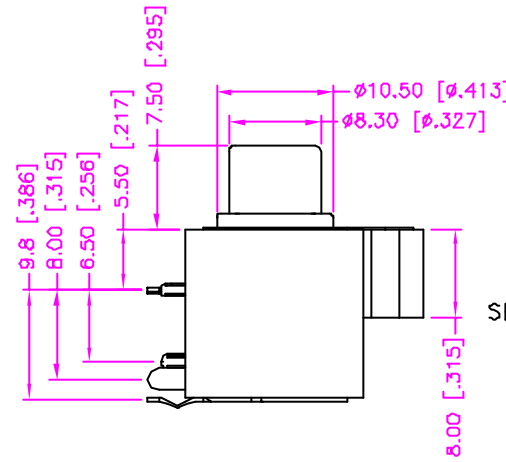
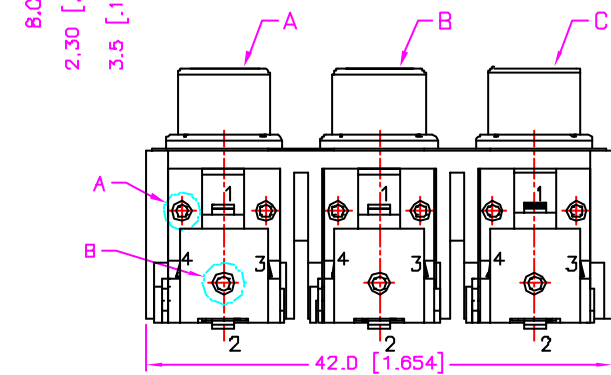
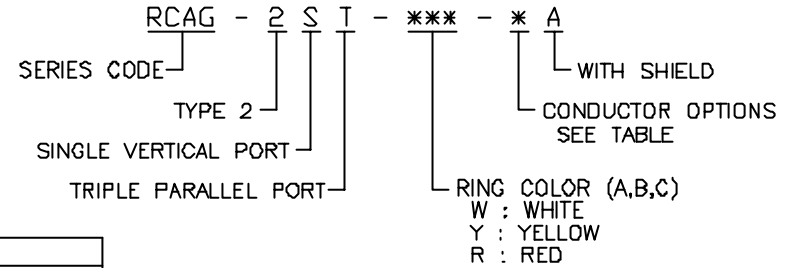
### MATERIALS

- HOUSING : POLYESTER (UL 94V-0), BLACK.
- INSERT RING : POLYESTER (UL 94V-0).
- GANG HOLDER : A.B.S. (UL 94V-0), BLACK.
- METAL BUSHING : BRASS, NICKEL PLATING. (t=0.40mm)
- TERMINAL : COPPER ALLOY, TIN PLATING.
- SHIELD : BRASS, NICKEL PLATING. (t=0.20mm)

### SPECIFICATION

- CURRENT RATING : 0.3 AMP. MAX.
- DIELECTRIC WITHSTANDING VOLTAGE : 500V AC R.M.S. FOR ONE MINUTE.
- INSULATION RESISTANCE : 100M OHMS MIN. AT 500V DC.
- CONTACT RESISTANCE : 30m OHMS MAX.
- OPERATING TEMPERATURE : -25°C TO +85°C.
- DURABILITY : 5000 CYCLES.
- MATING FORCE : 0.4 ~ 3.0kgs.
- UNMATING FORCE : 0.4 ~ 3.0kgs.

### ORDER INFORMATION



CONDUCTOR OPTIONS	SCHEMATIC		
	A	B	C
1			
2			
3			
4			

TOLERANCE	
.0 $\pm$ .30	[.012]
.00 $\pm$ .20	[.008]
.000 $\pm$ .XXX	
.0000 $\pm$ .	
ANG. $\pm$ .3°	
UNITS : mm [inch]	
SCALE NDNE	SIZE A4

DRAWER	Katherlin
CHECK	PUE
APP'D	W3982Y
PRODUCT SPEC.	
SHEET	1 OF 1
REV.	A

<b>Astron</b>	
ASTRON TECHNOLOGY CORP.	
NAME	
RCA GANG JACK - $\phi 8.30$ mm RIGHT ANGLE	
DRAW NO.	
C516-0004	
08005	