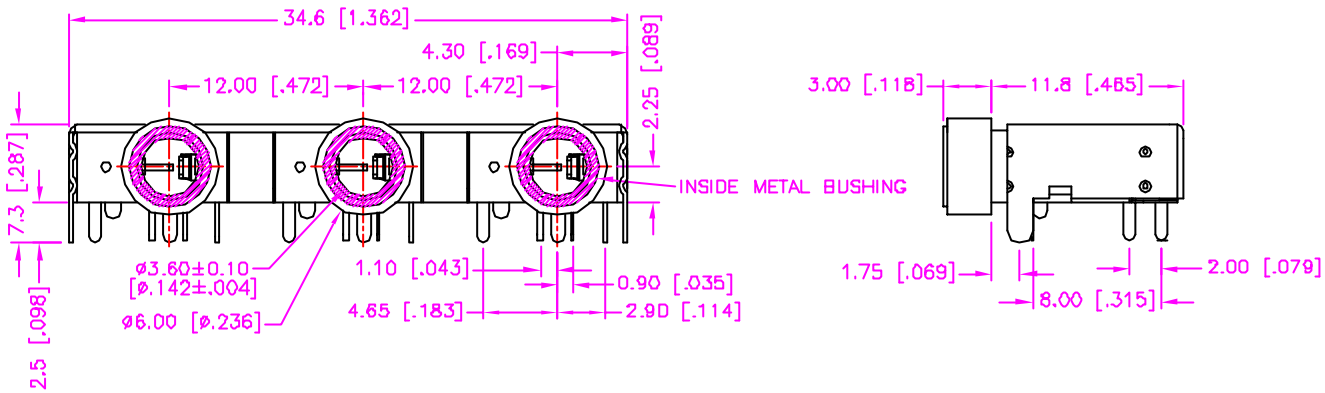


REV.	DESCRIPTION	DATE
—	RELEASE	Aug. 6, 2001
1		
2		



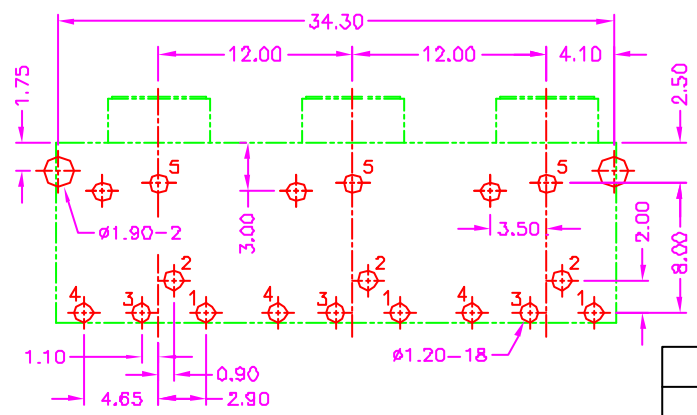
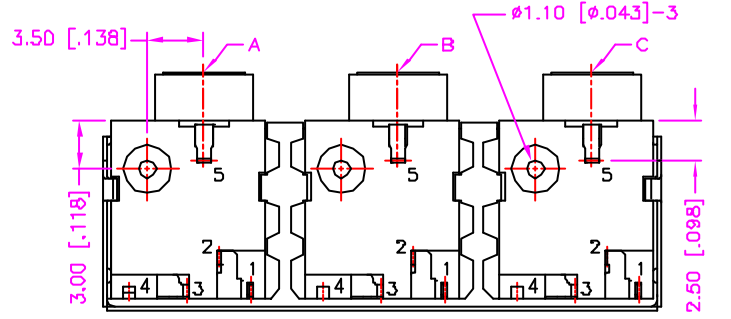
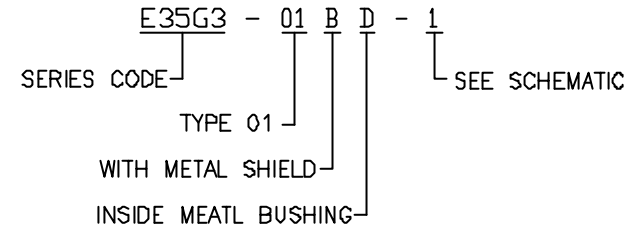
MATERIALS

1. HOUSING : POLYAMIDE (UL 94V-0), BLACK.
2. TERMINAL : COPPER ALLOY, TIN PLATING.
3. GROUND TERMINAL : PHOSPHOR BRONZE, NICKEL PLATING.
4. INSIDE METAL BUSHING : BRASS, NICKEL PLATING.
5. SHIELD : SPCC, NICKEL PLATING. (t=0.30mm)
6. SPACER : POLYAMIDE (UL 94V-0), BLACK.

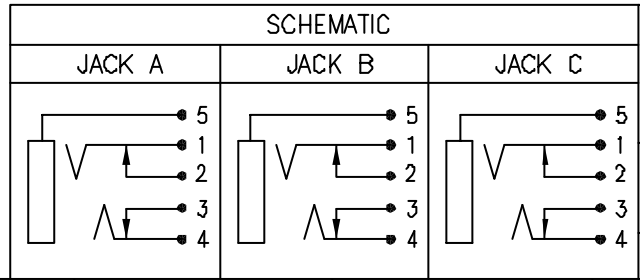
SPECIFICATION

1. CURRENT RATING : 0.3 AMP. MAX.
2. DIELECTRIC WITHSTANDING VOLTAGE : 500V AC R.M.S. FOR ONE MINUTE.
3. INSULATION RESISTANCE : 100M OHMS MIN. AT 500V DC.
4. CONTACT RESISTANCE : 50m OHMS MAX.
5. OPERATING TEMPERATURE : -25°C TO +85°C.
6. DURABILITY : 5000 CYCLES.
7. MATING FORCE : 0.4 ~ 3.0kgs.
8. UNMATING FORCE : 0.4 ~ 3.0kgs.

ORDER INFORMATION :



RECOMMEND P.C.B. LAYOUT
BOTTOM VIEW



TOLERANCE	
.0=±0.30 [0.12]	
.00=±0.20 [0.008]	
.000=±.XXX	
.0000=±.	
ANG.=±3°	

DRAWER	
Katherine	
CHECK	SUB
APP'D	ALBT
PRODUCT SPEC.	—
504-0002	
SHEET 1 OF 1	REV. A

ASTRON	
ASTRON TECHNOLOGY CORP.	
NAME EARPHONE JACK 3.50mm DIA. WITH METAL SHIELD INSIDE METAL BUSHING	
DRAW NO. C513-0002	
08005	