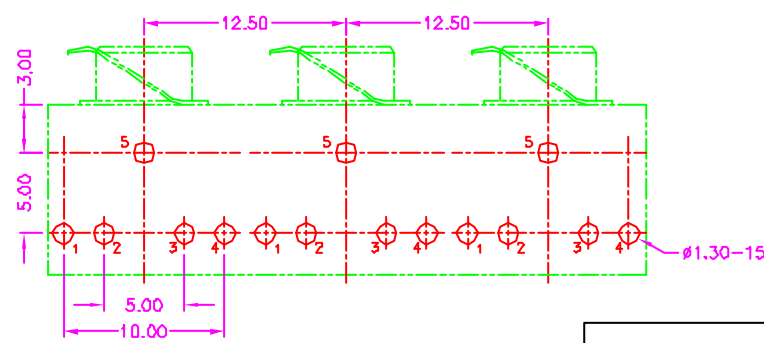
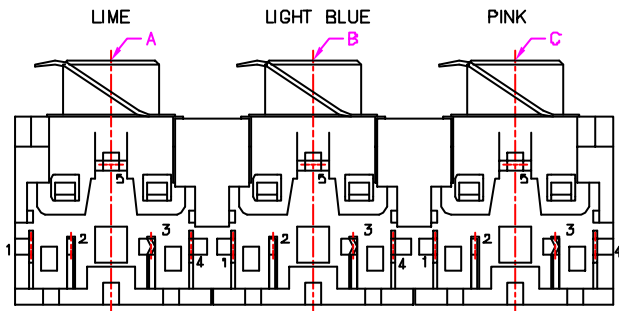
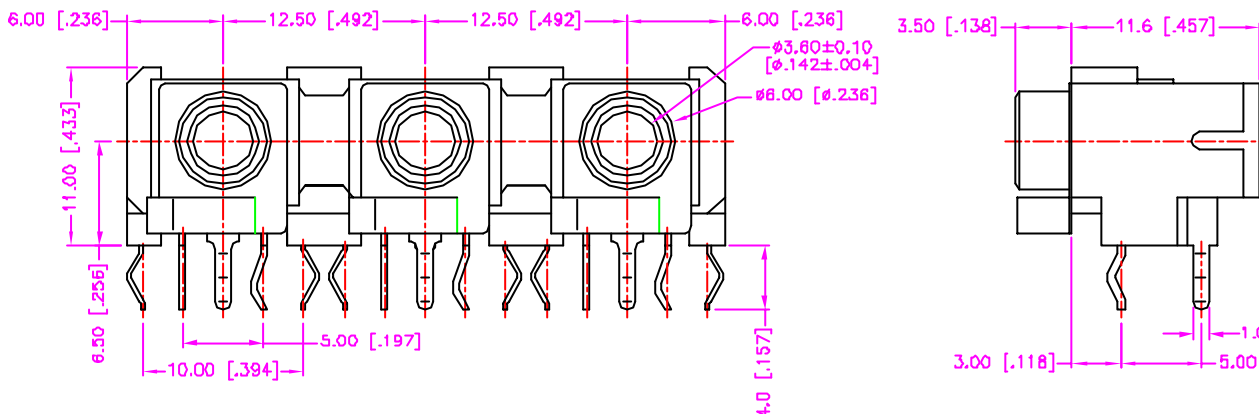


REV.	DESCRIPTION	DATE
—	RELEASE	Jul. 20, 2001
1	MODIFY DRAW	Jan. 22, 2002
2		



RECOMMEND P.C.B. LAYOUT
BOTTOM VIEW

MATERIALS

1. HOUSING : P.B.T. (UL 94V-0), BLACK.
2. TERMINAL : COPPER ALLOY, TIN PLATING.
3. GROUND : SPCC, TIN PLATING. (t=0.50mm)
4. PLASTIC BUSHING : P.B.T. (UL 94V-0).
5. SPRINGY GROUND : SUS301. (t=0.20mm)

SPECIFICATION

1. CURRENT RATING : 0.3 AMP. MAX.
2. DIELECTRIC WITHSTANDING VOLTAGE : 500V AC R.M.S. FOR ONE MINUTE.
3. INSULATION RESISTANCE : 100M OHMS MIN. AT 500V DC.
4. CONTACT RESISTANCE : 50m OHMS MAX.
5. OPERATING TEMPERATURE : -25°C TO +85°C.
6. DURABILITY : 5000 CYCLES.
7. MATING FORCE : 0.3 ~ 3.0kgs.
8. UNMATING FORCE : 0.3 ~ 3.0kgs.

ORDER INFORMATION :

E35G3 - 02 C H - 1 - S4
 SERIES CODE | TYPE 02 | PANTONE, LIME 577C+
 ALL PLASTIC WITH SPRING | SEE SCHEMATIC | LIGHT BLUE 284C+
 PLASTIC ON METAL BUSHING | | PINK 701C

SCHEMATIC			TOLERANCE	DRAWER	ASTRON TECHNOLOGY CORP.
JACK A	JACK B	JACK C	.0=±0.30 [.012] .00=±0.20 [.008] .000=±.XXX ANG.=±3°	<i>JUB</i>	
				CHECK <i>Katherine</i>	EARPHONE JACK
			UNITS : mm [inch]	APP'D <i>ALBT</i>	3.50mm DIA, ALL PLASTIC
			SCALE NONE	PRODUCT SPEC. —	METAL BUSHING
			SIZE A4	SHEET 1 OF 1	DRAW NO. C513-0001
				REV. B	08005