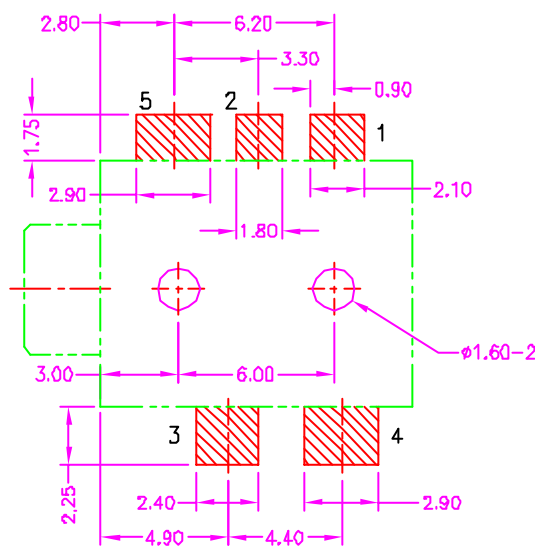
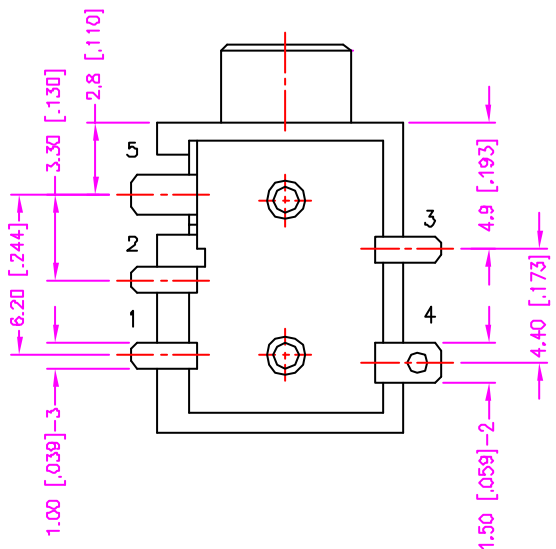
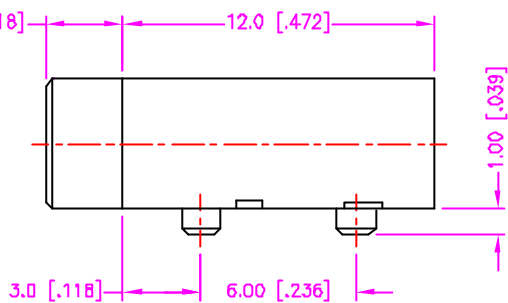
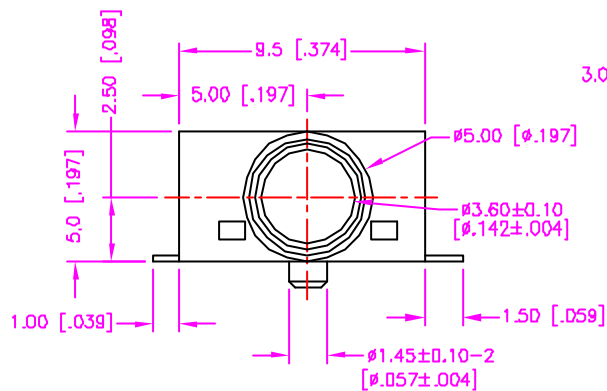


REV.	DESCRIPTION	DATE
—	RELEASE	Mar 24, 2000
1		
2		



RECOMMEND P.C.B LAYOUT
TOP VIEW

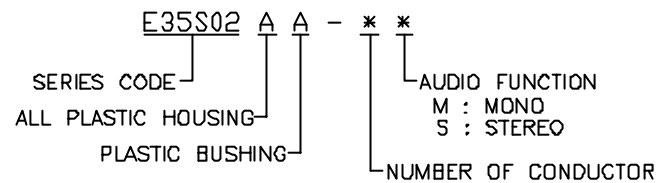
MATERIALS

- HOUSING : HI.-TEMP. PLASTIC (UL 94V-0), BLACK.
- TERMINAL : COPPER ALLOY, GOLD PLATING.

SPECIFICATION

- CURRENT RATING : 0.3 AMP. MAX.
- DIELECTRIC WITHSTANDING VOLTAGE : 250V AC R.M.S. FOR ONE MINUTE.
- INSULATION RESISTANCE : 100M OHMS MIN. AT 250V DC
- CONTACT RESISTANCE : 50m OHMS MAX.
- OPERATING TEMPERATURE : -25°C TO +85°C.
- DURABILITY : 5000 CYCLES.
- INSERTION FORCE : 0.4 ~ 3.0kgs.
- EXTRACTION FORCE : 0.4 ~ 3.0kgs.
- MAX. PROCESSING TEMP. : 230°C FOR 30~60 SECONDS.

ORDER INFORMATION



SCHEMATIC		TOLERANCE	DRAWER	ASTRON TECHNOLOGY CORP.
		.0=±.30 [0.012] .00=±.20 [0.008] .000=±.XXX .0000=±. ANG.=±3°	<i>Kathelin</i>	
		UNITS : mm [inch]	CHECK <i>Suo</i>	EARPHONE JACK 3.50mm DIA. SMT TYPE, ALL PLASTIC
		SCALE NDNE	APP'D <i>Wisely</i>	DRAW NO. C512-0002
		SIZE A4	PRODUCT SPEC. —	
			511-0034	
			SHEET 1 OF 1	
			REV. A	08005