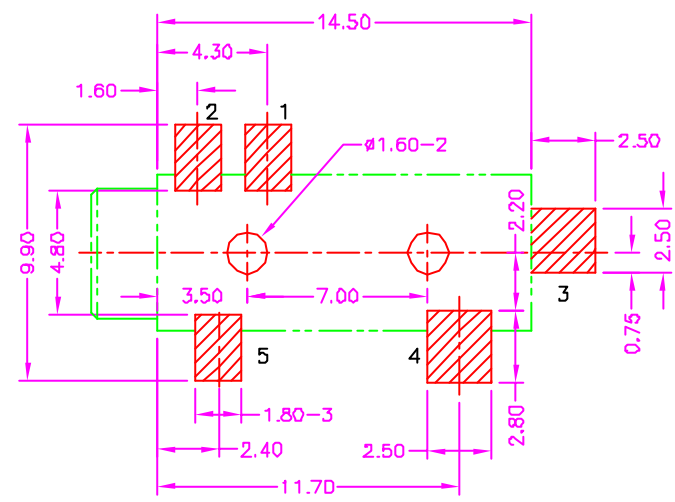
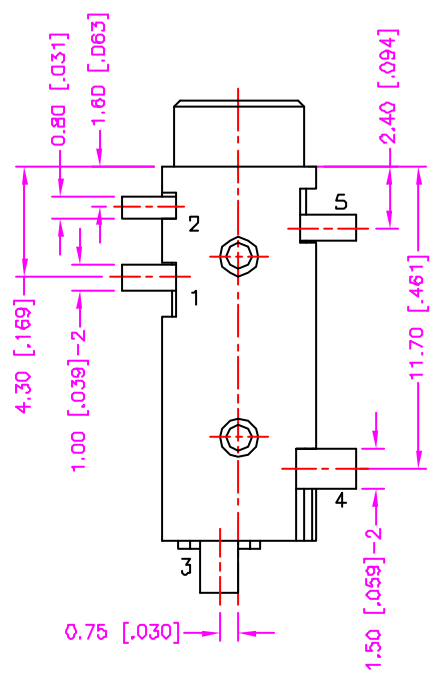
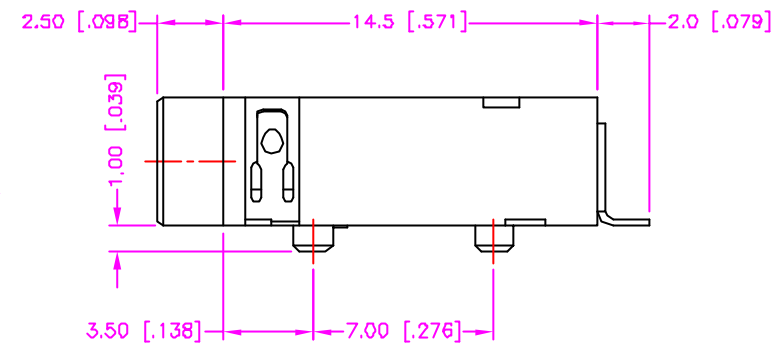
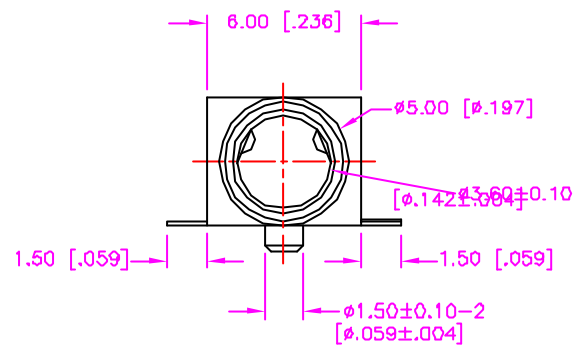


REV.	DESCRIPTION	DATE
—	RELEASE	Mar 24, 2000
1	SPEC.:7.&8. MODIFY	Sep. 29, 2000
2	DRAW MODIFY	Dec. 17, 2001



RECOMMEND P.C.B. LAYOUT
TOP VIEW

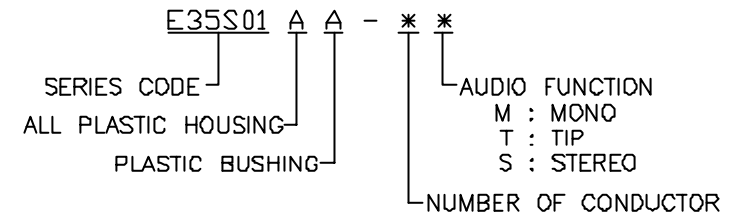
MATERIALS

1. HOUSING : HI.-TEMP. PLASTIC (UL 94V-0), BLACK.
2. TERMINAL : COPPER ALLOY, SILVER PLATING.

SPECIFICATION

1. CURRENT RATING : 0.3 AMP. MAX.
2. DIELECTRIC WITHSTANDING VOLTAGE : 250V AC R.M.S. FOR ONE MINUTE.
3. INSULATION RESISTANCE : 100M OHMS MIN. AT 250V DC
4. CONTACT RESISTANCE : 50m OHMS MAX.
5. OPERATING TEMPERATURE : -25°C TO +85°C.
6. DURABILITY : 5000 CYCLES.
7. MATING FORCE : 0.4 ~ 3.0kgs.
8. UNMATING FORCE : 0.4 ~ 3.0kgs.
9. MAX. PROCESSING TEMP. : 230°C FOR 30 ~ 60 SECONDS.

ORDER INFORMATION



SCHEMATIC			TOLERANCE	DRAWER	ASTRON TECHNOLOGY CORP.
			.0=±.30 [.012] .00=±.20 [.008] .000=±.XXX .0000=±. ANG.=±3°	<i>JUS</i>	
E35S01AA-3S	E35S01AA-4T	E35S01AA-5S	UNITS : mm [inch]	CHECK <i>Katherine</i> APP'D <i>Adi</i>	DRAW NO. C512-0001
			SCALE NONE	PRODUCT SPEC.	
			SIZE A4	511-0012, 511-0013 511-0015	
			SHEET 1 OF 1	REV. C	08005

