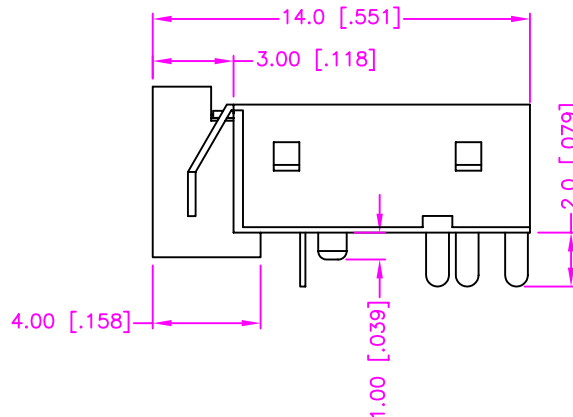
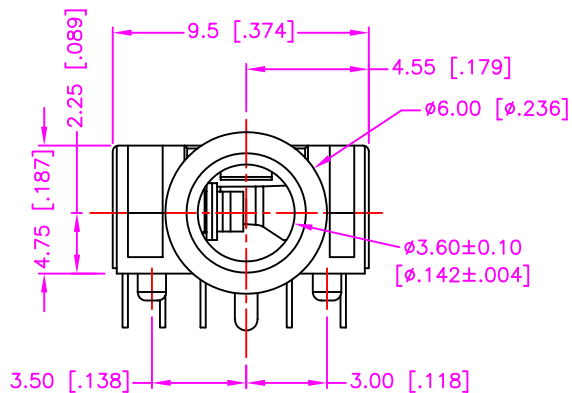


REV.	DESCRIPTION	DATE
—	RELEASE	Jan. 13, 2003
1	P/N MODIFY	Jun. 20, 2003
2	DRAW MODIFY	Sep. 09, 2003
3	DRAW MODIFY	Dec. 18, 2003



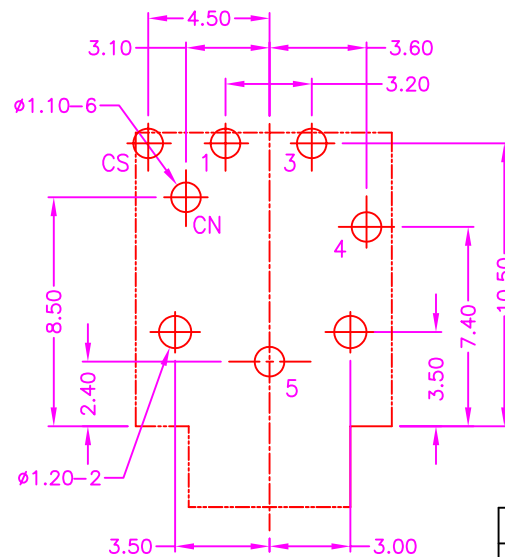
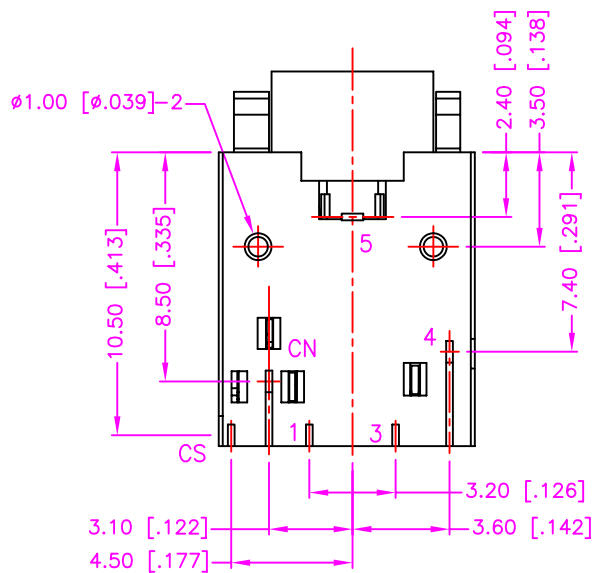
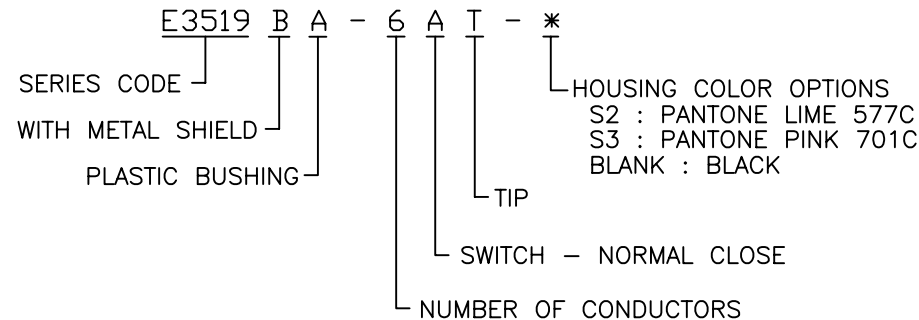
### MATERIALS

1. HOUSING : THERMOPLASTIC (UL 94V-0).
2. TERMINAL : COPPER ALLOY, TIN PLATING.
3. SHIELD : COPPER ALLOY, NICKEL PLATING.


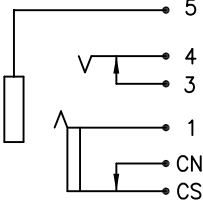
### SPECIFICATION

1. CURRENT RATING : 0.3 AMP. MAX.
2. DIELECTRIC WITHSTANDING VOLTAGE : 500V AC R.M.S. FOR ONE MINUTE.
3. INSULATION RESISTANCE : 100M OHMS MIN. AT 500V DC.
4. CONTACT RESISTANCE : 50m OHMS MAX.
5. OPERATING TEMPERATURE : -25°C TO +85°C
6. DURABILITY : 5000 CYCLES.
7. MATING FORCE : 0.4 ~ 3.0kgs.
8. UNMATING FORCE : 0.4 ~ 3.0kgs.

### ORDER INFORMATION :



RECOMMEND P.C.B. LAYOUT  
TOP VIEW

SCHEMATIC		TOLERANCE		DRAWER		 <b>ASTRON TECHNOLOGY CORP.</b> NAME EARPHONE JACK 3.5mm DIA. WITH METAL SHIELD PLASTIC BUSHING SWITCH-NORMAL CLOSE DRAW NO. C511-0055
		.0=±0.30 [.012]		DRAWER <i>PUB</i>		
		.00=±0.20 [.008]		CHECK <i>Katherlin</i>		
		.000=±.XXX		APP'D <i>LJON</i>		
.0000=±.		ANG.=±3'		PRODUCT SPEC. —		
UNITS : mm [inch]		SCALE NONE		SHEET 1 OF 1		
SCALE NONE		SIZE A4		REV. D		