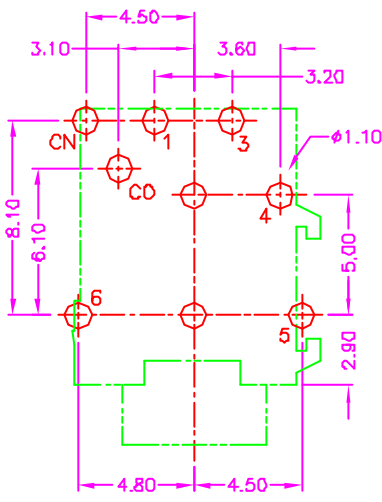
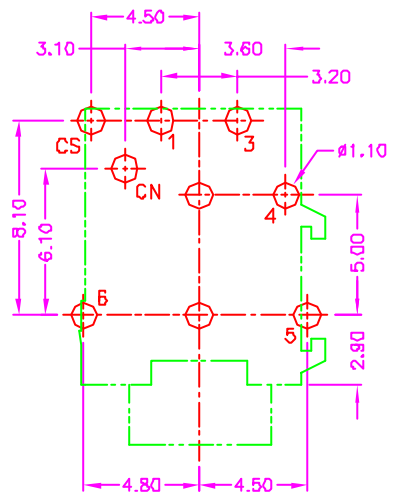
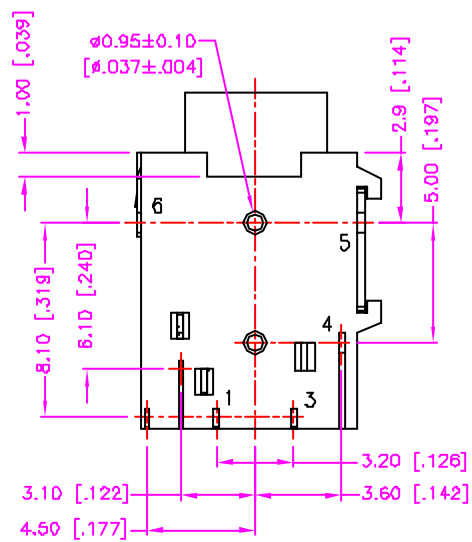
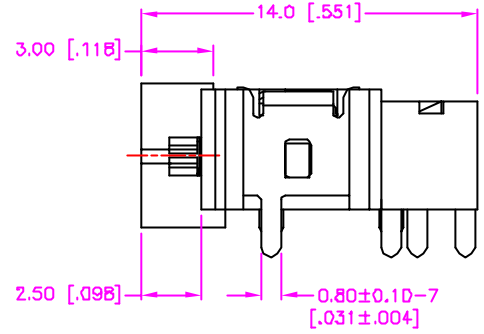
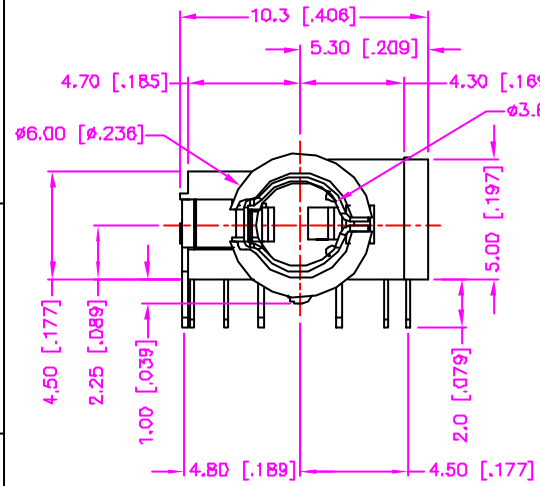


REV.	DESCRIPTION	DATE
—	RELEASE	Sep. 29, 2000
1	MATERIAL MODIFY	Jun. 1, 2001
2	SCHEMATIC MODIFY	Aug. 12, 2002
3	DRAW MODIFY	Dec. 19, 2003



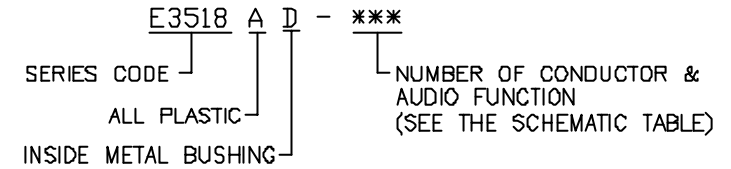
MATERIALS

1. HOUSING : POLYAMIDE (UL 94V-0), BLACK.
2. TERMINAL : COPPER ALLOY, TIN PLATING.
3. TERMINAL #6 PIN : COPPER ALLOY, GOLD PLATING.
4. METAL BUSHING : COPPER ALLOY, GOLD PLATING.

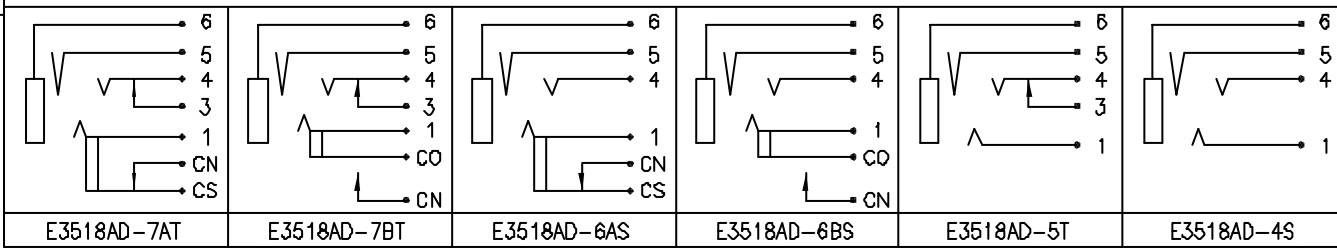
SPECIFICATION

1. CURRENT RATING : 0.3 AMP. MAX.
2. DIELECTRIC WITHSTANDING VOLTAGE : 500V AC R.M.S. FOR ONE MINUTE.
3. INSULATION RESISTANCE : 100M OHMS MIN. AT 500V DC.
4. CONTACT RESISTANCE : 50m OHMS MAX.
5. OPERATING TEMPERATURE : -25°C TO +85°C
6. DURABILITY : 5000 CYCLES.
7. MATING FORCE : 0.4 ~ 3.0kgs.
8. UNMATING FORCE : 0.4 ~ 3.0kgs.

ORDER INFORMATION :



SCHEMATIC



TOLERANCE	
.0=±0.30 [.012]	
.00=±0.20 [.008]	
.000=±.XXX	
.0000=±.	
ANG.=±3°	
UNITS : mm [inch]	
SCALE NONE	SIZE A4

DRAWER	<i>Katherine</i>
CHECK	<i>MUS</i>
APP'D	<i>LYON</i>
PRODUCT SPEC.	—
511-002B	
SHEET 1 OF 1	REV. D

Astron	
ASTRON TECHNOLOGY CORP.	
NAME EARPHONE JACK 3.50mm DIA., ALL PLASTIC INSIDE METAL BUSHING	
DRAW NO. C511-0047	
08005	