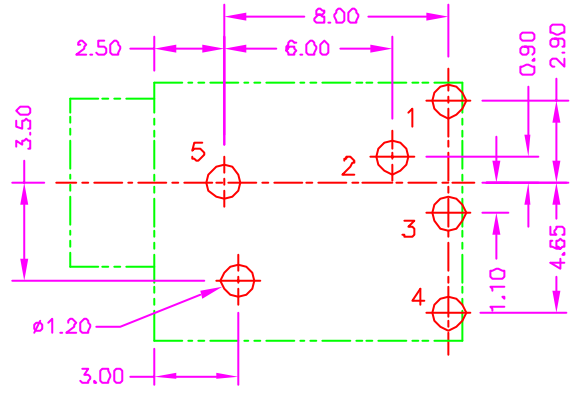
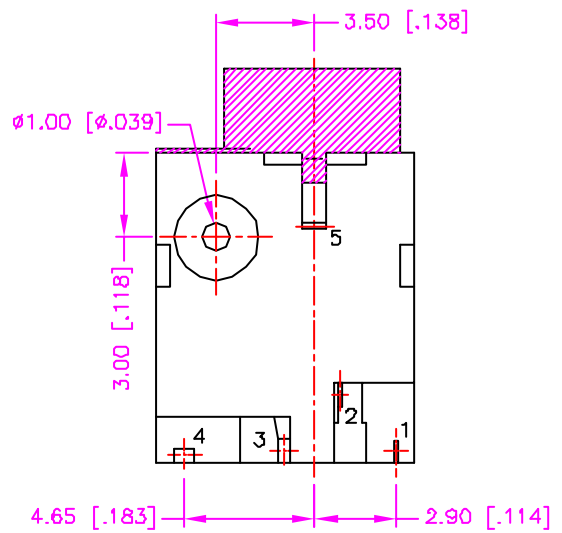
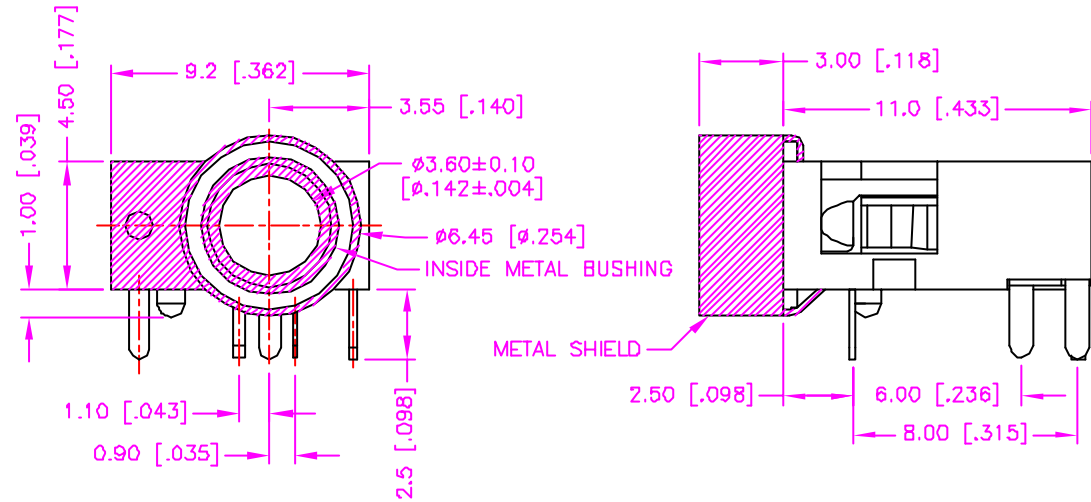


REV.	DESCRIPTION	DATE
—	RELEASE	Aug. 16, 2001
1		
2		



**RECOMMENDED P.C.B. LAYOUT
BOTTOM VIEW**

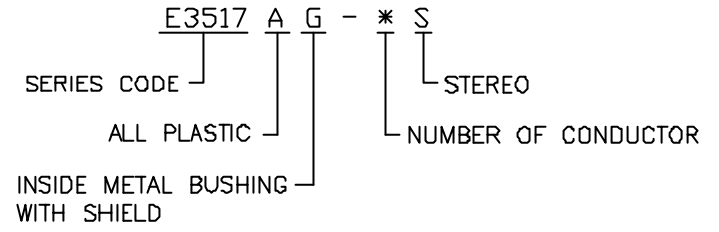
MATERIALS

1. HOUSING : POLYAMIDE (UL 94V-0), BLACK.
2. TERMINAL : COPPER ALLOY, TIN PLATING.
3. METAL SHIELD ; BRASS, NICKEL PLATING.
4. INSIDE METAL BUSHING : BRASS, NICKEL PLATING.

SPECIFICATIONNS

1. CURRENT RATING : 0.3 AMP. MAX.
2. DIELECTRIC WITHSTANDING VOLTAGE : 500V AC R.M.S. FOR ONE MINUTE.
3. INSULATION RESISTANCE : 100M OHMS MIN. AT 500V DC.
4. CONTACT RESISTANCE : 50m OHMS MAX.
5. OPERATING TEMPERATURE : -25°C TO +85°C.
6. DURABILITY : 5000 CYCLES.
7. MATING FORCE : 0.4 ~ 3.0Kgs.
8. UNMATING FORCE : 0.4 ~ 3.0Kgs.

ORDER INFORMATION



SCHEMATIC		TOLERANCE	DRAWER	Astron ASTRON TECHNOLOGY CORP. NAME EARPHONE JACK 3.50mm DIA. ALL PLASTIC INSIDE METAL BUSHING WITH SHIELD DRAW NO. C511-0046
		.0±.30 [.012] .00±.20 [.008] .000±.XXX .0000±. ANG.=±3°	Katherlin CHECK APP'D ALBY PRODUCT SPEC.	
E3517AG-5S	E3517AG-3S	UNITS : mm [inch]	SCALE NONE	
		SIZE A4	SHEET 1 OF 1	
			REV. A	08005