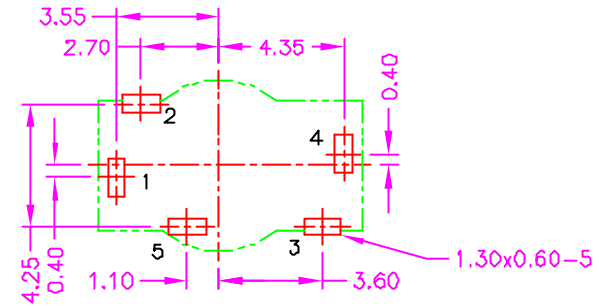
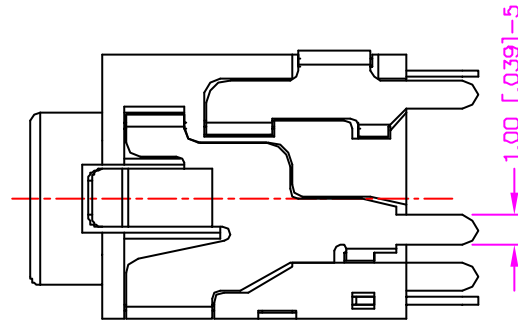
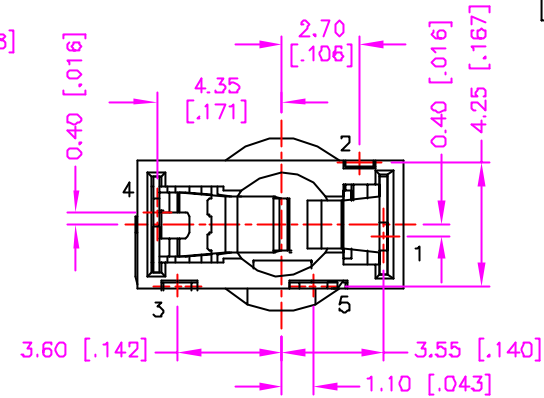
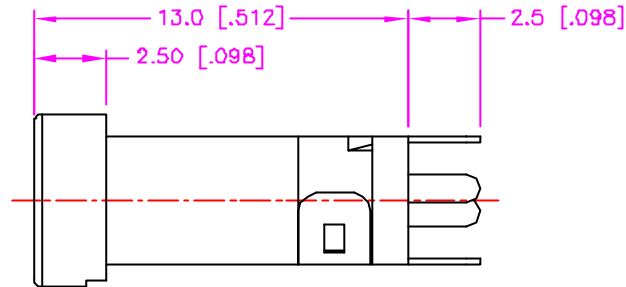
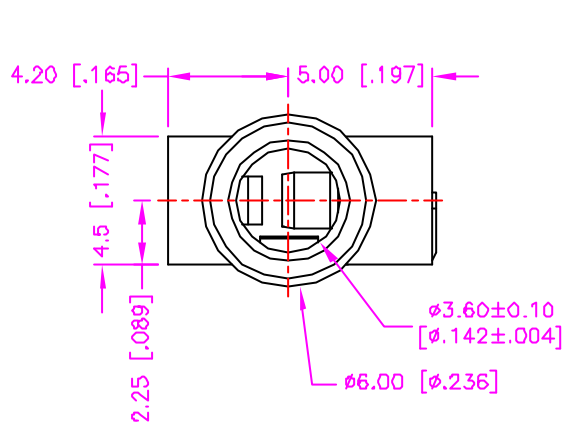


REV.	DESCRIPTION	DATE
—	RELEASE	Apr. 23, 2003
1		
2		



RECOMMEND P.C.B. LAYOUT
TOP VIEW

MATERIALS

1. HOUSING : POLYESTER (UL 94V-0).
2. TERMINAL : COPPER ALLOY, TIN PLATING.
(t=0.25mm)

SPECIFICATION

1. CURRENT RATING : 0.3 AMP. MAX.
2. DIELECTRIC WITHSTANDING VOLTAGE :
500V AC R.M.S. FOR ONE MINUTE.
3. INSULATION RESISTANCE : 100M OHMS MIN.
AT 500V DC.
4. CONTACT RESISTANCE : 50m OHMS MAX.
5. OPERATING TEMPERATURE : -25°C TO +85°C
6. DURABILITY : 5000 CYCLES.
7. MATING FORCE : 0.4 ~ 3.0kgs.
8. UNMATING FORCE : 0.4 ~ 3.0kgs.

ORDER INFORMATION :

E3527 A A - 5 S - S2
 SERIES CODE ALL PLASTIC PLASTIC BUSHING NUMBER OF CONDUCTOR PANTONE GREEN 577C STEREO

SCHEMATIC 	TOLERANCE .0=±0.30 [.012] .00=±0.20 [.008] .000=±.XXX .0000=±. ANG.=±3°	DRAWER <i>Katherlin</i>	ASTRON TECHNOLOGY CORP. NAME EARPHONE JACK 3.50mm DIA. ALL PLASTIC
	UNITS : mm [inch] SCALE NDNE SIZE A4	CHECK <i>LEON</i>	
		APP'D <i>PUS</i>	
		PRODUCT SPEC. —	
		SHEET 1 OF 1	
		REV. A	08005