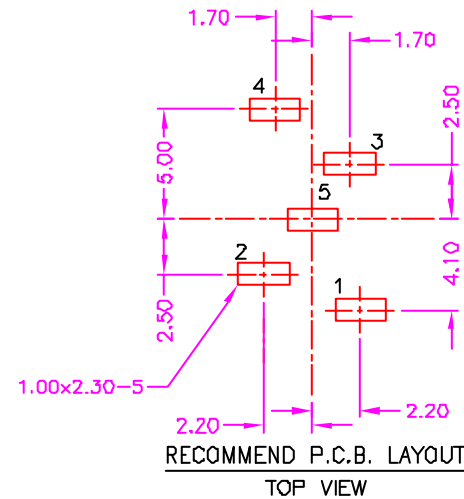
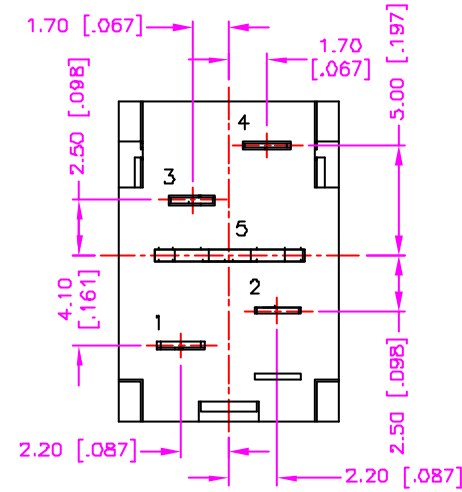
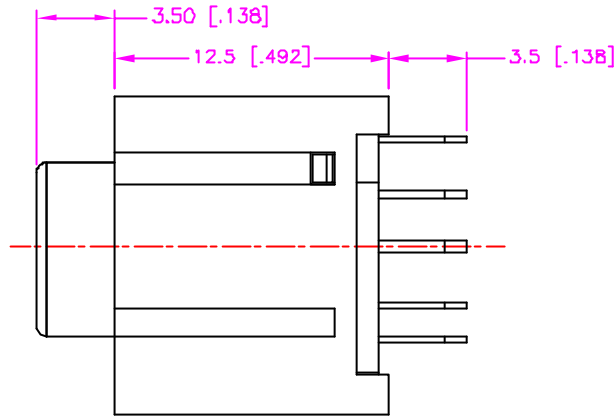
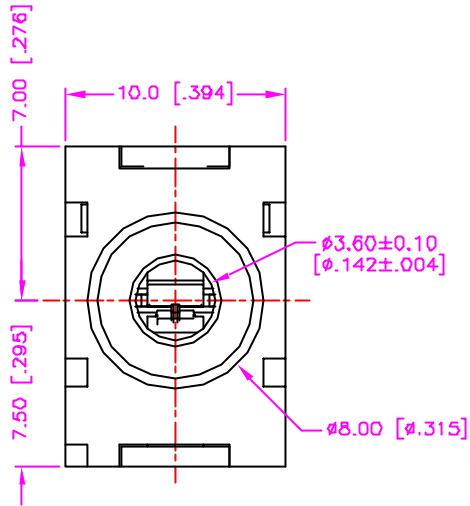


REV.	DESCRIPTION	DATE
—	RELEASE	Nov. 06, 2002
1		
2		



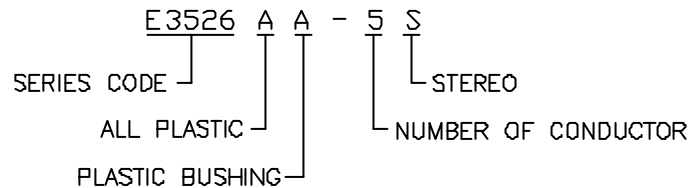
MATERIALS

1. HOUSING : POLYESTER (UL 94V-0), BLACK.
2. BACK COVER : PLYAMIDE (UL 94V-0), BLACK.
3. TERMINAL : COPPER ALLOY, SILVER PLATING.

SPECIFICATION

1. CURRENT RATING : 0.3 AMP. MAX.
2. DIELECTRIC WITHSTANDING VOLTAGE : 500V AC R.M.S. FOR ONE MINUTE.
3. INSULATION RESISTANCE : 100M OHMS MIN. AT 500V DC.
4. CONTACT RESISTANCE : 50m OHMS MAX.
5. OPERATING TEMPERATURE : -25°C TO +85°C
6. DURABILITY : 5000 CYCLES.
7. MATING FORCE : 0.4 ~ 3.0kgs.
8. UNMATING FORCE : 0.4 ~ 3.0kgs.

ORDER INFORMATION :



SCHEMATIC	TOLERANCE .0=±0.30 [.012] .00=±0.20 [.008] .000=±.XXX .0000=±. ANG.=±3°	DRAWER <i>Katherlin</i>	Astron ASTRON TECHNOLOGY CORP.
	UNITS : mm [inch]	CHECK <i>SUE</i>	
SCALE NONE		SIZE A4	PRODUCT SPEC. —
	SHEET 1 OF 1	REV. A	08005