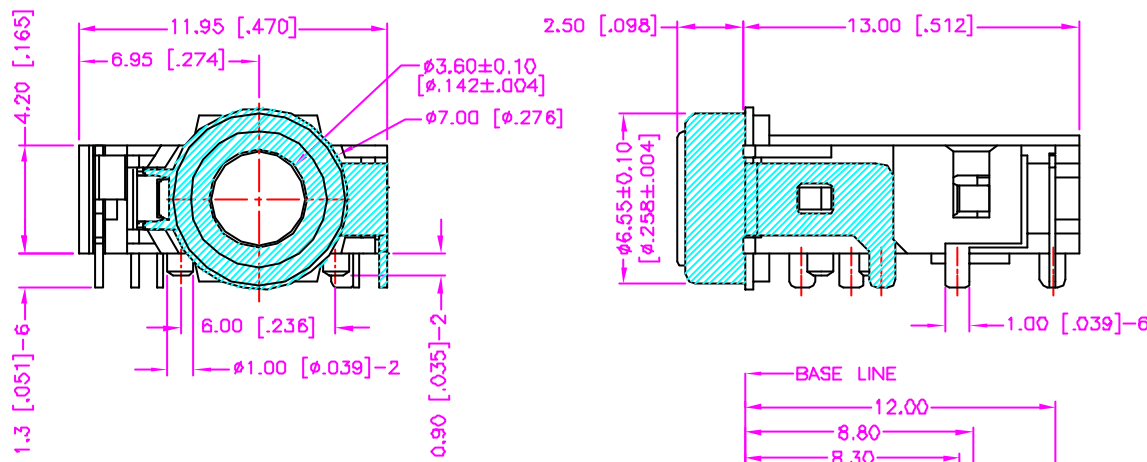


REV.	DESCRIPTION	DATE
—	RELEASE	Jul 26, 2000
1	MATERIAL MODIFY	Jun. 1, 2001
2		



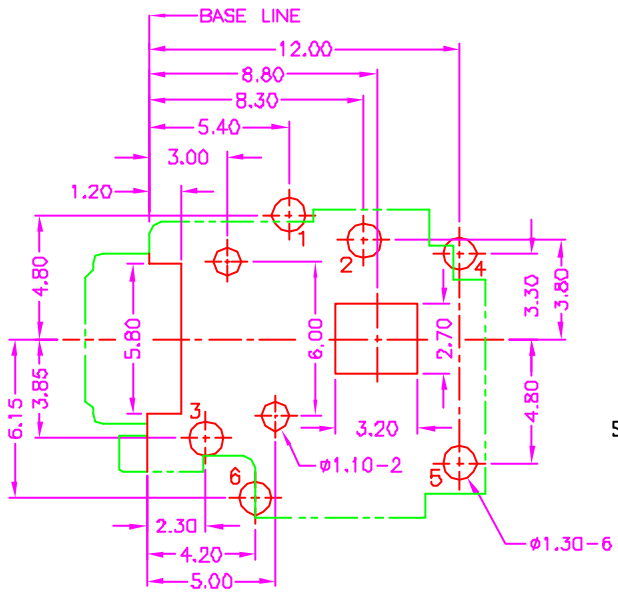
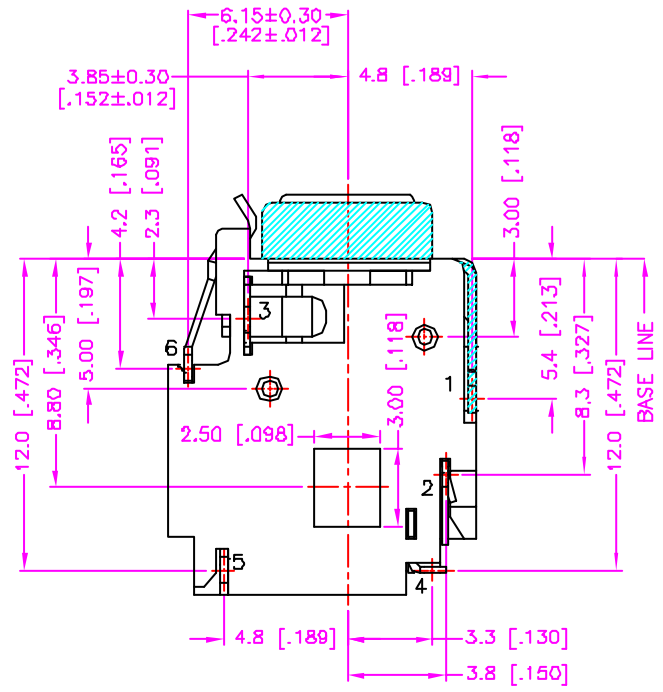
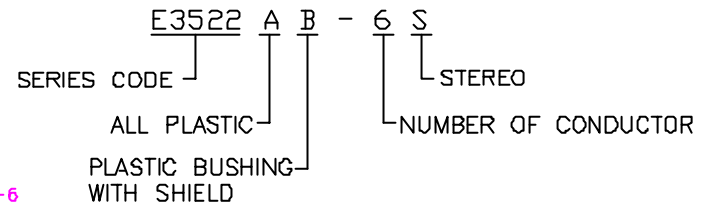
MATERIALS

1. HOUSING : POLYAMIDE (UL 94V-0), BLACK.
2. TERMINAL : COPPER ALLOY, TIN PLATING.
3. SHIELD : COPPER ALLOY, GOLD PLATING.

SPECIFICATION

1. CURRENT RATING : 0.3 AMP. MAX.
2. DIELECTRIC WITHSTANDING VOLTAGE : 500V AC R.M.S. FOR ONE MINUTE.
3. INSULATION RESISTANCE : 100M OHMS MIN. AT 500V DC.
4. CONTACT RESISTANCE : 50m OHMS MAX.
5. OPERATING TEMPERATURE : -25°C TO +85°C.
6. DURABILITY : 5000 CYCLES.
7. MATING FORCE : 0.4 ~ 3.0kgs.
8. UNMATING FORCE : 0.4 ~ 3.0kgs.

ORDER INFORMATION :



RECOMMEND P.C.B. LAYOUT
BOTTOM VIEW

SCHEMATIC 	TOLERANCE .0=±0.30 [.012] .00=±0.20 [.008] .000=±.xxx .0000=± ANG.=±3°	DRAWER <i>Kathelin</i> CHECK <i>Sue</i> APP'D <i>Wisely</i>	Astron ASTRON TECHNOLOGY CORP. NAME EARPHONE JACK 3.50mm DIA. ALL PLASTIC PLASTIC BUSHING WITH SHIELD
	UNITS : mm [inch] SCALE NONE SIZE A4 SHEET 1 OF 1 REV. B	PRODUCT SPEC. — DRAW NO. C511-0025 08005	