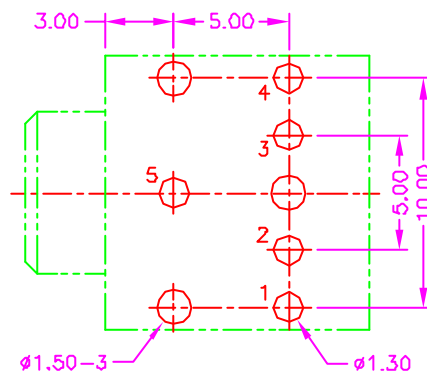
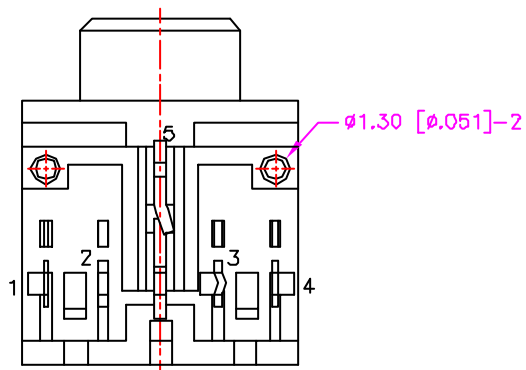
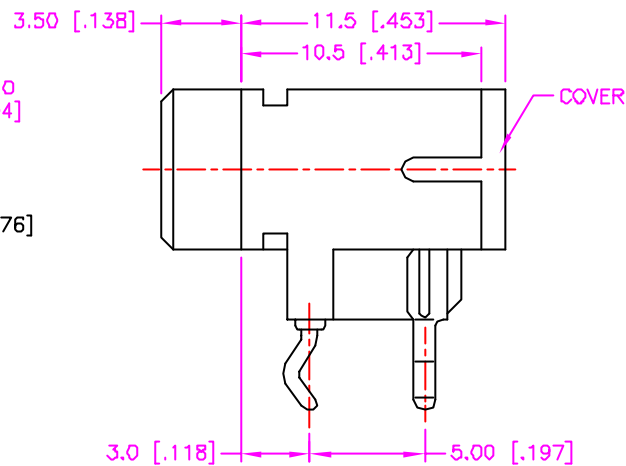
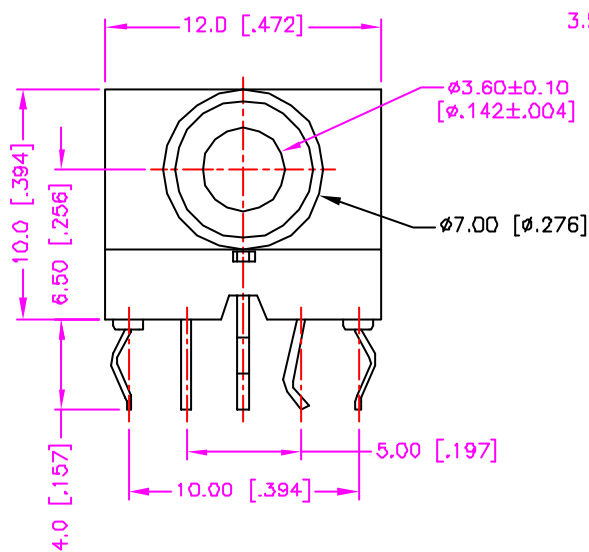


REV.	DESCRIPTION	DATE
—	RELEASE	Aug. 29, 2001
1		
2		



RECOMMEND P.C.B. LAYOUT
BOTTOM VIEW

MATERIALS

- HOUSING : P.B.T. (UL 94V-0), BLACK.
- PLASTIC COVER : P.B.T. (UL 94V-0), BLACK.
- TERMINAL : COPPER ALLOY, TIN PLATING.

SPECIFICATION

- CURRENT RATING : 0.3 AMP. MAX.
- DIELECTRIC WITHSTANDING VOLTAGE : 500V AC R.M.S. FOR ONE MINUTE.
- INSULATION RESISTANCE : 100M OHMS MIN. AT 50V DC.
- CONTACT RESISTANCE : 50m OHMS MAX.
- OPERATING TEMPERATURE : -25°C TO +85°C.
- DURABILITY : 5000 CYCLES.
- MATING FORCE : 0.4 ~ 3.0kgs.
- UNMATING FORCE : 0.4 ~ 3.0kgs.

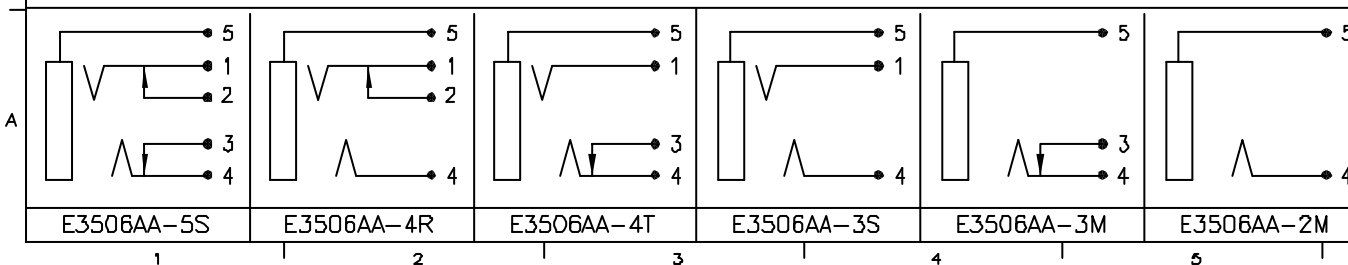
ORDER INFORMATION :

E3506 A A - * * - *

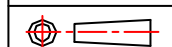
SERIES CODE | ALL PLASTIC | PLASTIC BUSHING | NUMBER OF CONDUCTOR | COVER OPTIONS
C : WITHOUT COVER
BLANK : WITH COVER

AUDIO FUNCTION
M : MONO
R : RING
T : TIP
S : STEREO

SCHEMATIC



TOLERANCE
.0 = ±0.30 [.012]
.00 = ±0.20 [.008]
.000 = ±.XXX
.0000 = ±.
ANG. = ±3°



UNITS : mm [inch]

SCALE NONE | SIZE A4

DRAWER *Katherine*
CHECK *Sub*
APP'D *ALBY*
PRODUCT SPEC. —

SHEET 1 OF 1 | REV. A

Astron
ASTRON TECHNOLOGY CORP.
NAME
EARPHONE JACK 3.50mm DIA.
ALL PLASTIC
DRAW NO.
C511-0008
08005