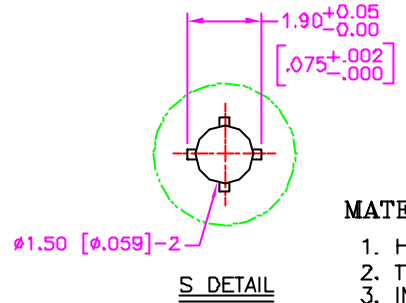
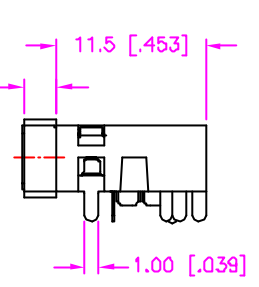
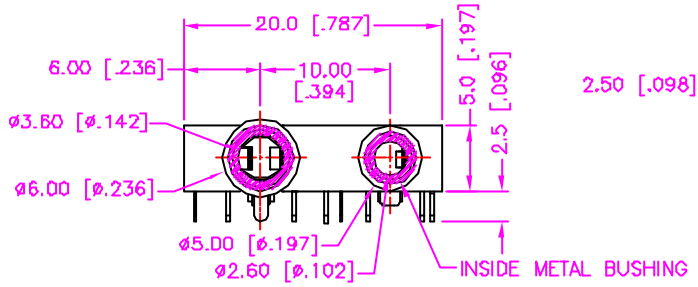


REV.	DESCRIPTION	DATE
—	RELEASE	Aug. 1, 2001
1		
2		



MATERIALS

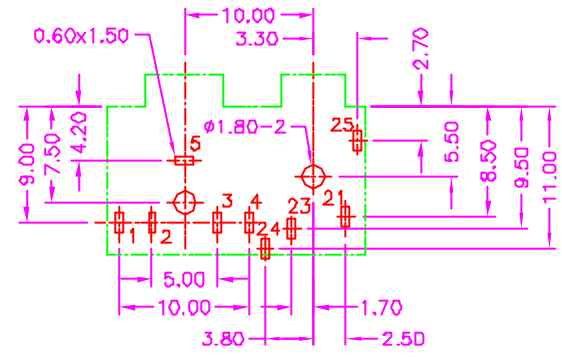
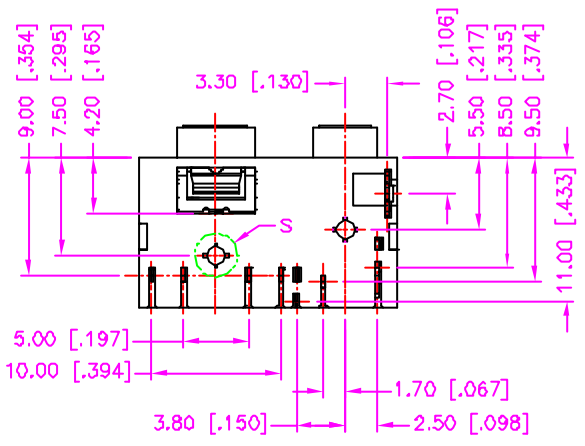
1. HOUSING : P.B.T. (UL 94V-0), BLACK.
2. TERMINAL : COPPER ALLOY, TIN PLATING.
3. INSIDE METAL BUSHING : COPPER ALLOY, NICKEL PLATING.

SPECIFICATION

1. CURRENT RATING : 0.3 AMP. MAX.
2. DIELECTRIC WITHSTANDING VOLTAGE : 500V AC R.M.S. FOR ONE MINUTE.
3. INSULATION RESISTANCE : 100M OHMS MIN. AT 500V DC.
4. CONTACT RESISTANCE : 50m OHMS MAX.
5. OPERATING TEMPERATURE : -25°C TO +85°C
6. DURABILITY : 5000 CYCLES.
7. MATING FORCE : 0.4 ~ 3.0kgs.
8. UNMATING FORCE : 0.4 ~ 3.0kgs.

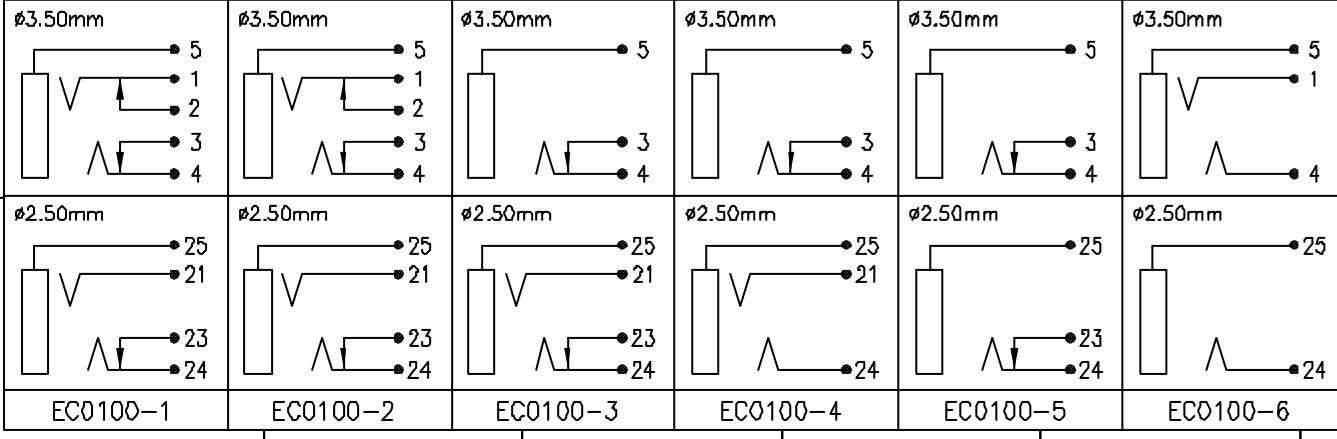
ORDER INFORMATION :

EC0100 - *
 SERIES CODE SEE SCHEMATIC



RECOMMEND P.C.B. LAYOUT
 BOTTOM VIEW

SCHEMATIC



TOLERANCE	
.0=±0.30 [0.12]	
.00=±0.20 [0.08]	
.000=±.XXX	
.0000=±.	
ANG.=±3°	
UNITS : mm [inch]	
SCALE NONE	SIZE A4

DRAWER	<i>Katherlin</i>
CHECK	<i>Puc</i>
APP'D	<i>ALBT</i>
PRODUCT SPEC.	—
504-0001	
SHEET 1 OF 1	REV. A

Astron	
ASTRON TECHNOLOGY CORP.	
NAME	EARPHONE JACK COMBO JACK, ALL PLASTIC INSIDE METAL BUSHING
DRAW NO.	C510-0001
08005	