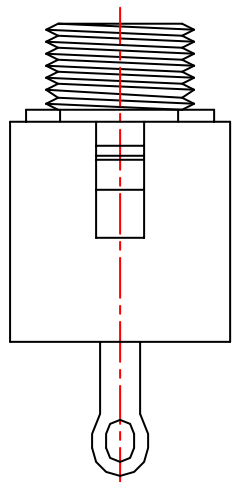
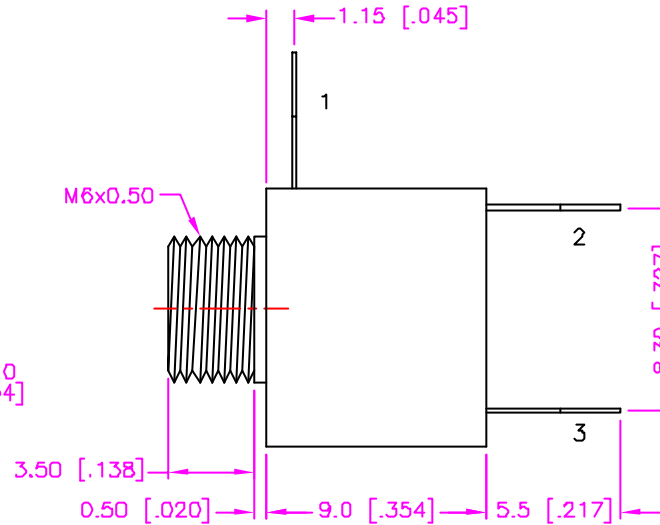
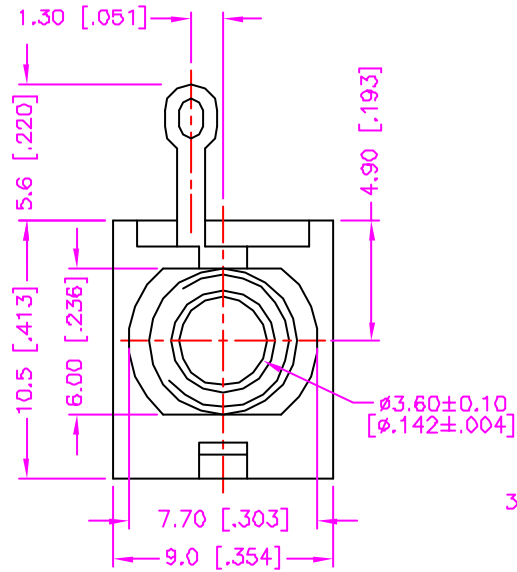


REV.	DESCRIPTION	DATE
—	RELEASE	Aug. 28, 2001
1		
2		



MATERIALS

1. HOUSING : P.B.T. (UL 94V-0), BLACK.
2. TERMINAL : COPPER ALLOY, TIN PLATING.
3. METAL BUSHING : BRASS, NICKEL PLATING.

SPECIFICATION

1. CURRENT RATING : 0.3 AMP. MAX.
2. DIELECTRIC WITHSTANDING VOLTAGE : 500V AC R.M.S. FOR ONE MINUTE.
3. INSULATION RESISTANCE : 100M OHMS MIN. AT 500V DC.
4. CONTACT RESISTANCE : 50m OHMS MAX.
5. OPERATING TEMPERATURE : -25°C TO +85°C.
6. DURABILITY : 5000 CYCLES.
7. MATING FORCE : 0.4 ~ 3.0kgs.
8. UNMATING FORCE : 0.4 ~ 3.0kgs.

ORDER INFORMATION :

E351 - 01 A F - 3 S

SERIES CODE | TYPE 01 | ALL PLASTIC | METAL BUSHING WITH THREADED | STEREO | NUMBER OF CONDUCTOR

SCHEMATIC	TOLERANCE	DRAWER	ASTRON TECHNOLOGY CORP.
	.0=±.0.30 [.012]	<i>Katherine</i>	NAME EARPHONE JACK 3.50mm DIA. PANEL MOUNT, ALL PLASTIC METAL BUSHING WITH THREADED
	.00=±0.20 [.008]	CHECK <i>MS</i>	
	.000=±.XXX	APP'D <i>ALB</i>	DRAW NO. C509-0001
	.0000=±.	PRODUCT SPEC. —	
ANG.=±3°	UNITS : mm [inch]	510-0007	
SCALE NONE	SIZE A4	SHEET 1 OF 1	REV. A 08005