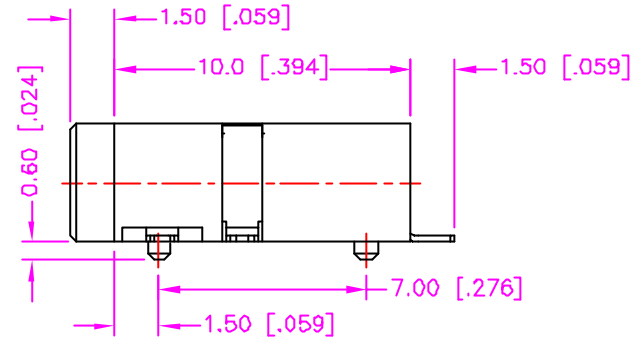
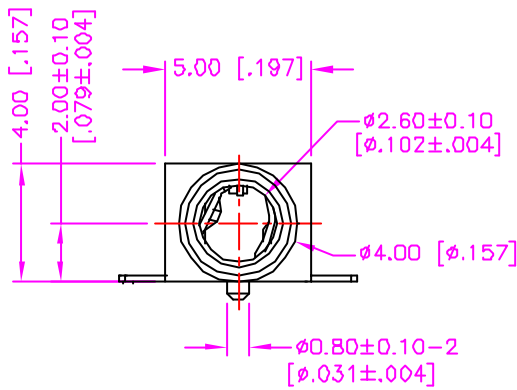


REV.	DESCRIPTION	DATE
—	RELEASE	Mar 21, 2003
1		
2		



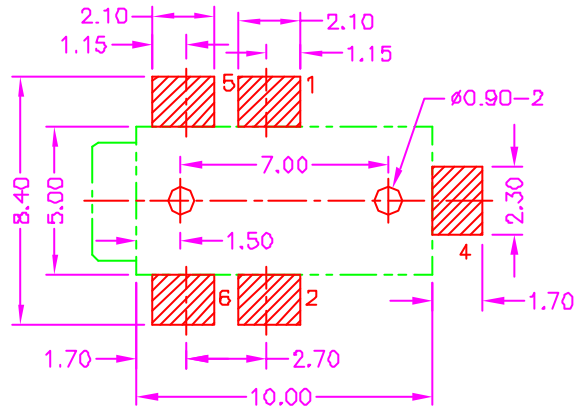
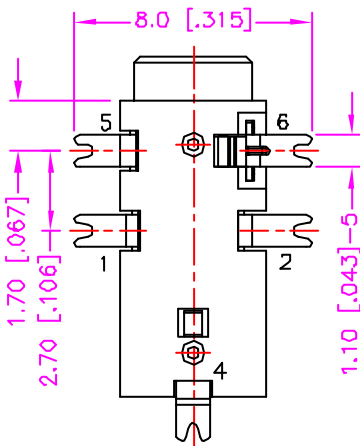
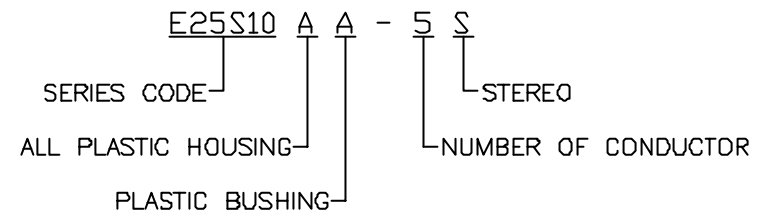
**MATERIALS**

1. HOUSING : HI.-TEMP. PLASTIC (UL 94V-0), BLACK.
2. TERMINAL : COPPER ALLOY, SILVER PLATING.

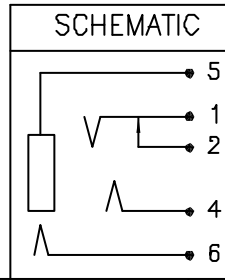
**SPECIFICATION**

1. CURRENT RATING : 0.3 AMP. MAX.
2. DIELECTRIC WITHSTANDING VOLTAGE : 250V AC R.M.S. FOR ONE MINUTE.
3. INSULATION RESISTANCE : 100M OHMS MIN. AT 250V DC
4. CONTACT RESISTANCE : 50m OHMS MAX.
5. OPERATING TEMPERATURE : -25°C TO +85°C.
6. DURABILITY : 5000 CYCLES.
7. MATING FORCE : 0.3 ~ 3.0kgs.
8. UNMATING FORCE : 0.3 ~ 3.0kgs.
9. MAX. PROCESSING TEMP. : 230°C FOR 30 ~ 60 SECONDS.

**ORDER INFORMATION**



RECOMMEND P.C.B. LAYOUT TOP VIEW



TOLERANCE	
.0±.30 [0.012]	
.00±.20 [0.008]	
.000±.XXX	
.0000±.	
ANG.=±3°	
UNITS : mm [inch]	
SCALE NONE	SIZE A4

DRAWER	Katherlin
CHECK	ZJOW
APP'D	JUB
PRODUCT SPEC.	—
SHEET	1 OF 1
REV.	A

<b>Astron</b>	
ASTRON TECHNOLOGY CORP.	
NAME	
EARPHONE JACK 2.50mm DIA. SMT TYPE, ALL PLASTIC	
DRAW NO.	
C507-0017	
08005	