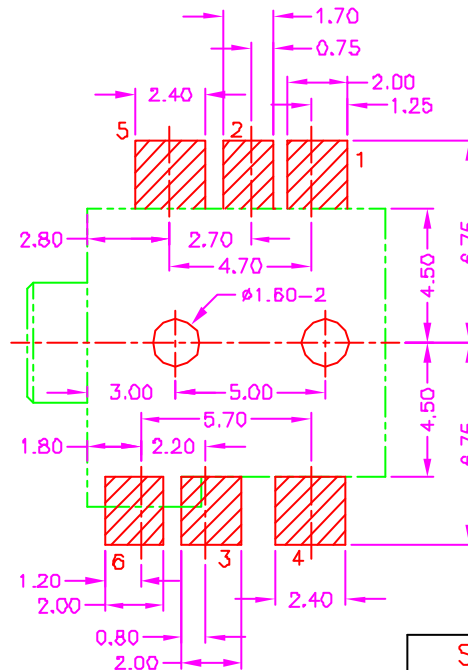
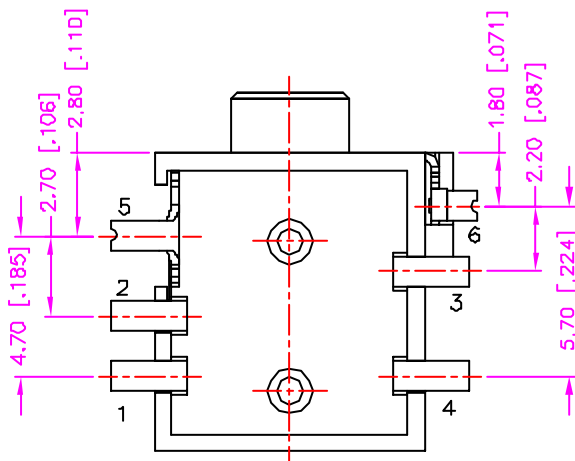
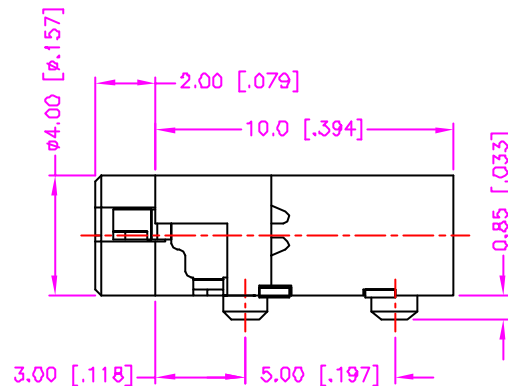
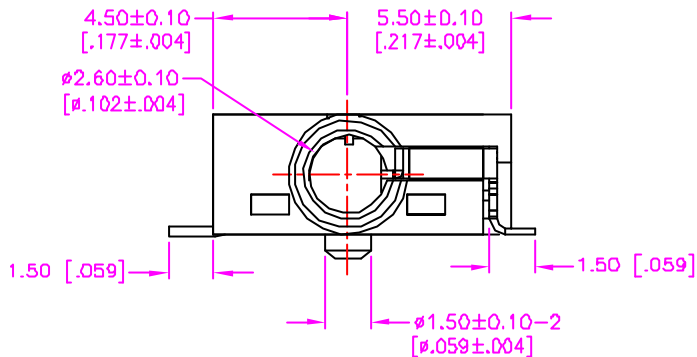


REV.	DESCRIPTION	DATE
—	RELEASE	Oct. 2 2000
△		
△		



RECOMMEND P.C.B. LAYOUT  
TOP VIEW

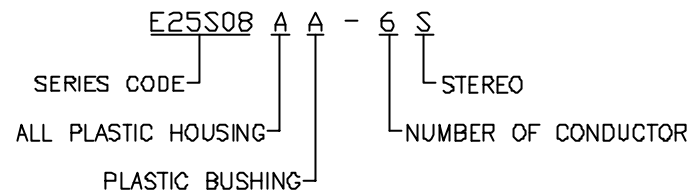
### MATERIALS

- HOUSING : HI.-TEMP. PLASTIC (UL 94V-0), BLACK.
- TERMINAL : COPPER ALLOY, GOLD PLATING.

### SPECIFICATION

- CURRENT RATING : 0.3 AMP. MAX.
- DIELECTRIC WITHSTANDING VOLTAGE : 250V AC R.M.S. FOR ONE MINUTE.
- INSULATION RESISTANCE : 100M OHMS MIN. AT 250V DC
- CONTACT RESISTANCE : 50m OHMS MAX.
- OPERATING TEMPERATURE : -25°C TO +85°C.
- DURABILITY : 5000 CYCLES.
- MATING FORCE : 0.3 ~ 3.0kgs
- UNMATING FORCE : 0.3 ~ 3.0kgs.
- MAX. PROCESSING TEMP. : 230°C FOR 30 ~ 60 SECONDS.

### ORDER INFORMATION



SCHEMATIC		TOLERANCE	DRAWER	ASTRON TECHNOLOGY CORP.
		.0±.30 [.012]	<i>Katherlin</i>	
		.00±.20 [.008]	CHECK <i>Sue</i>	
		.000±.xxx	APP'D <i>Wisely</i>	DRAW NO. C507-0012
		.0000±.	PRODUCT SPEC. —	SCALE NONE
UNITS : mm [inch]		ANG.=±3'	SHEET 1 OF 1	REV. A
SIZE A4				08005