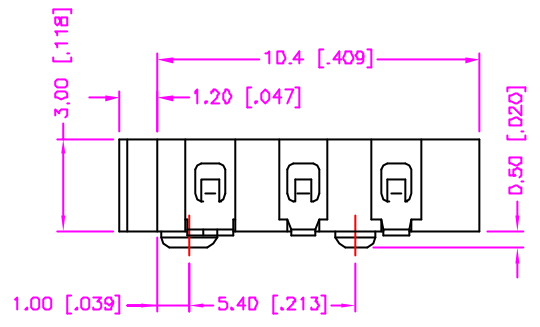
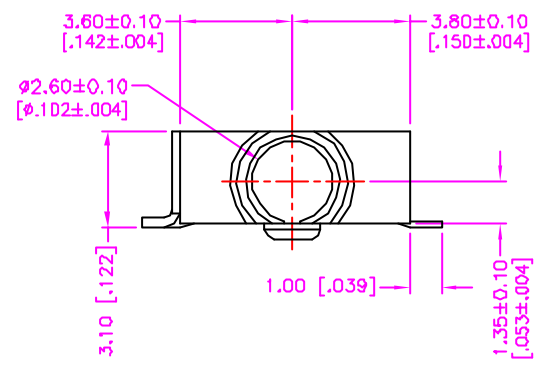


REV.	DESCRIPTION	DATE
—	RELEASE	Dec. 2, 2000
1	CD-PLANARITY	Dec. 4, 2000
2	MATERIAL MODIFY	May 18, 2002
3	DRAW MODIFY	Sep. 09, 2003



MATERIALS

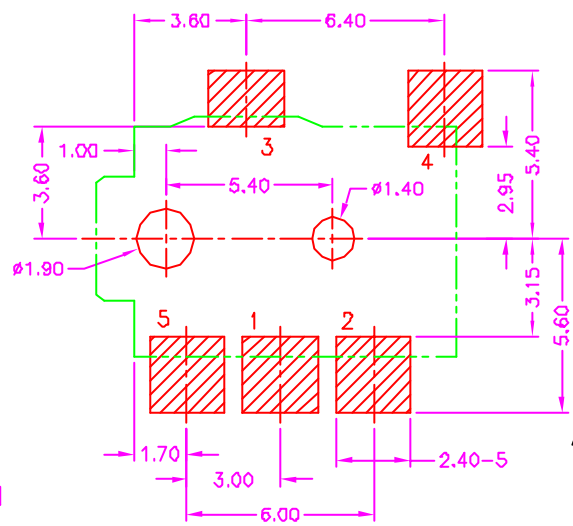
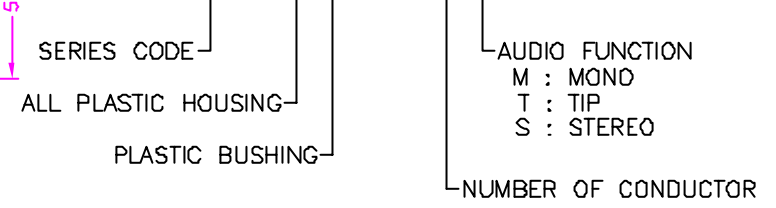
- HOUSING : HI.-TEMP. PLASTIC (UL 94V-0), BLACK.
- TERMINAL :
 #1, #4, #5 PIN : BERYLLIUM COPPER, GOLD PLATING.
 #2, #3 PIN : PHOSPHOR BRONZE, GOLD PLATING.

SPECIFICATION

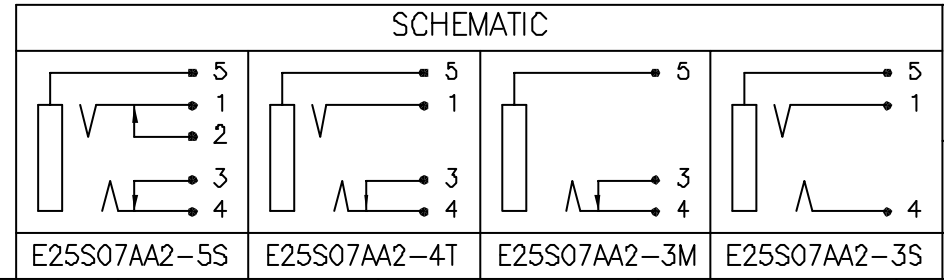
- CURRENT RATING : 0.3 AMP. MAX.
- DIELECTRIC WITHSTANDING VOLTAGE : 250V AC R.M.S. FOR ONE MINUTE.
- INSULATION RESISTANCE : 100M OHMS MIN. AT 250V DC
- CONTACT RESISTANCE : 50m OHMS MAX.
- OPERATING TEMPERATURE : -25°C TO +85°C.
- DURABILITY : 5000 CYCLES.
- MATING FORCE : 0.3 ~ 3.0kgs.
- UNMATING FORCE : 0.3 ~ 3.0kgs.
- MAX. PROCESSING TEMP. : 230°C FOR 30 ~ 60 SECONDS.

ORDER INFORMATION

E25S07 A A 2 - * *



RECOMMEND P.C.B. LAYOUT TOP VIEW



TOLERANCE
 .0±.30 [0.012]
 .00±.20 [0.008]
 .000±.XXX
 .0000±.
 ANG.=±3°
 UNITS : mm [inch]

DRAWER *PUB*
 CHECK *Katharina*
 APP'D *LION*
 PRODUCT SPEC. —

Astron
 ASTRON TECHNOLOGY CORP.
 NAME
 EARPHONE JACK 2.50mm DIA.
 SMT TYPE, ALL PLASTIC
 DRAW NO. C507-0008-G

SCALE NONE SIZE A4 SHEET 1 OF 1 REV. D

1001B