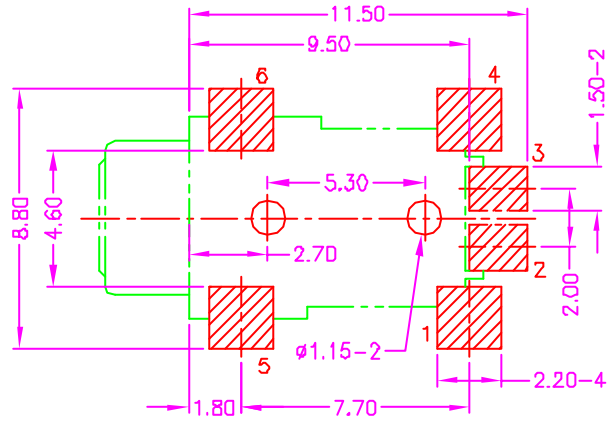
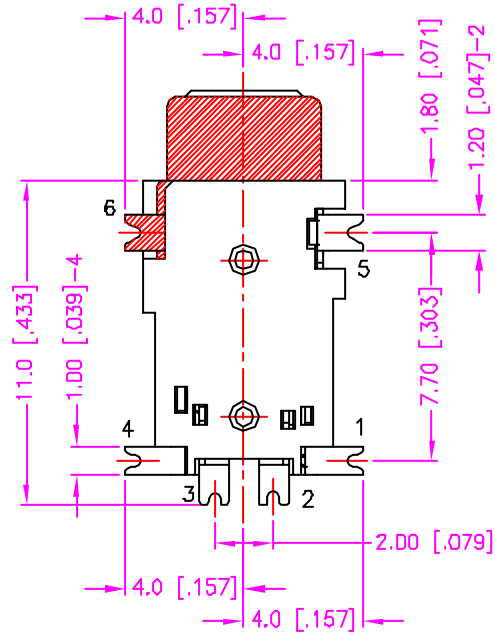
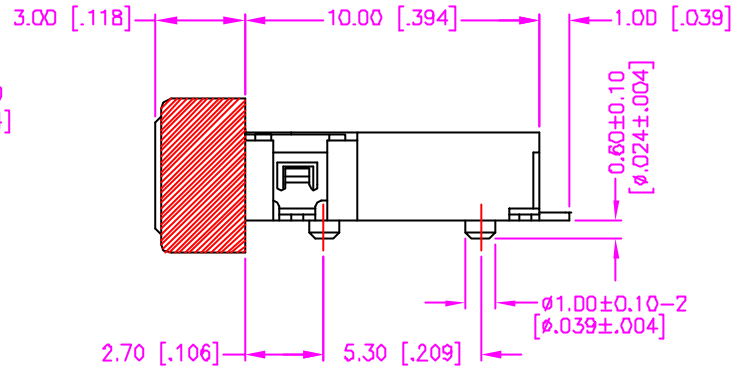
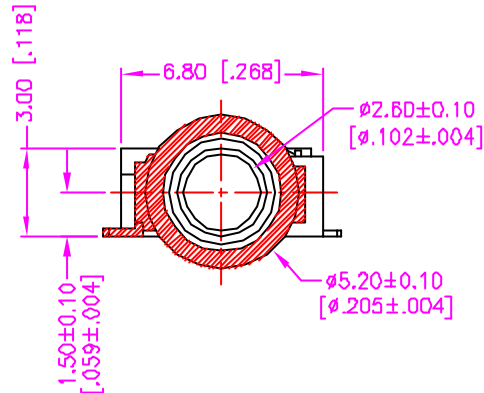


REV.	DESCRIPTION	DATE
—	RELEASE	Jun. 30, 2000
1	MATERIALS MODIFY	May 20, 2002
2		



RECOMMEND P.C.B LAYOUT
TOP VIEW

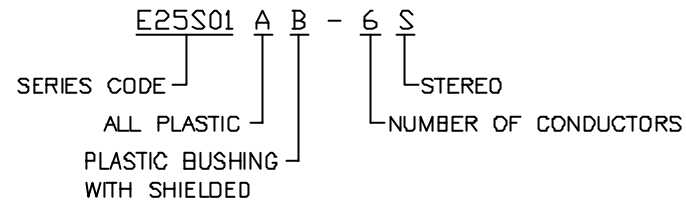
MATERIALS

- HOUSING : HI.-TEMP. PLASTIC (UL 94V-0), BLACK.
- TERMINAL :
#1, #4 PIN : BERYLLIUM COPPER, TIN PLATING.
#2, #3 PIN : BRASS, TIN PLATING.
#5 PIN : PHOSPHOR BRONZE, TIN PLATING.
- METAL BUSHING & #6 PIN : BRASS, GOLD PLATING.

SPECIFICATION

- CURRENT RATING : 0.3 AMP. MAX.
- DIELECTRIC WITHSTANDING VOLTAGE : 250V AC R.M.S. FOR ONE MINUTE.
- INSULATION RESISTANCE : 100M OHMS MIN. AT 250V DC.
- CONTACT RESISTANCE : 50m OHMS MAX.
- OPERATING TEMPERATURE : -25°C TO +85°C.
- DURABILITY : 5000 CYCLES.
- MATING FORCE : 0.3 ~ 3.0kgs.
- UNMATING FORCE : 0.3 ~ 3.0kgs.
- MAX. PROCESSING TEMP. : 230°C FOR 30 ~ 60 SECONDS.

ORDER INFORMATION



SCHEMATIC		TOLERANCE	DRAWER	ASTRON TECHNOLOGY CORP.
	.0±.30 [.012]	Katherlin	CHECK	
	.00±.20 [.008]		Sue	EARPHONE JACK 2.50mm DIA.
	.000±.XXX	APP'D	Wisely	SMT TYPE, ALL PLASTIC
	.0000±.	PRODUCT SPEC.	—	PLASTIC BUSHING WITH SHIELDED
ANG.=±3°	UNITS : mm [inch]	SCALE	SHEET	DRAW NO.
	SCALE NONE	SIZE A4	1 OF 1	C507-0007
			REV. B	10018