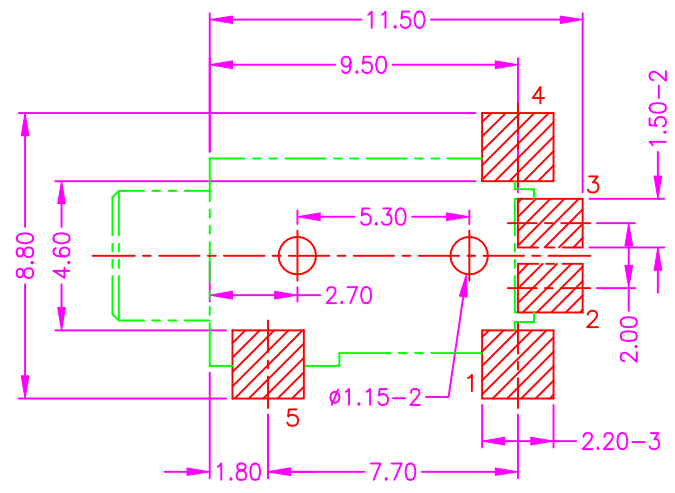
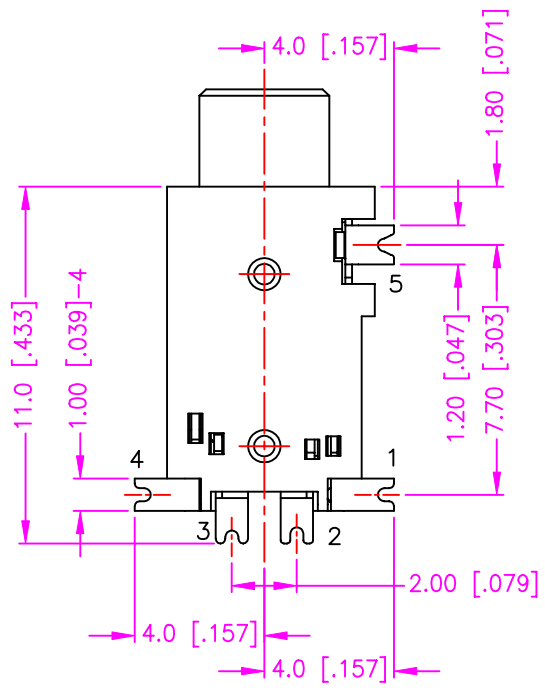
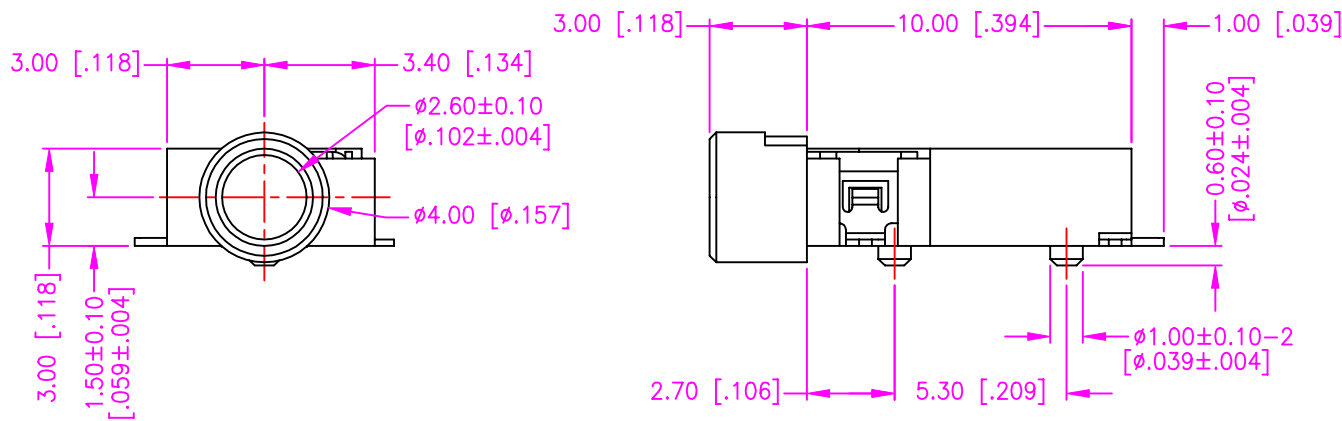


REV.	DESCRIPTION	DATE
—	RELEASE	Jun. 30, 2000
1	BUSHING	Sep. 8, 2000
2	MATERIAL MODIFY	May 16, 2002



RECOMMEND P.C.B LAYOUT  
TOP VIEW

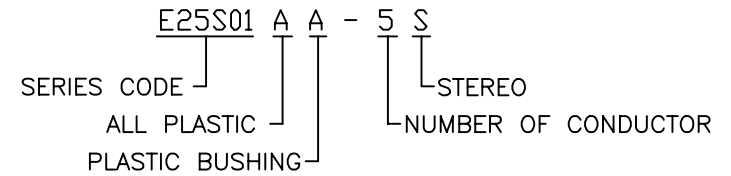
**MATERIALS**

- HOUSING : HI.-TEMP. PLASTIC (UL 94V-0), BLACK.
- TERMINAL :
  - #1, #4 PIN : BERYLLIUM COPPER, TIN PLATING.
  - #2, #3 PIN : BRASS, TIN PLATING.
  - #5 PIN : PHOSPHOR BRONZE, TIN PLATING.

**SPECIFICATION**

- CURRENT RATING : 0.3 AMP. MAX.
- DIELECTRIC WITHSTANDING VOLTAGE : 250V AC R.M.S. FOR ONE MINUTE.
- INSULATION RESISTANCE : 100M OHMS MIN. AT 250V DC.
- CONTACT RESISTANCE : 50m OHMS MAX.
- OPERATING TEMPERATURE : -25°C TO +85°C.
- DURABILITY : 5000 CYCLES.
- MATING FORCE : 0.3 ~ 3.0kgs.
- UNMATING FORCE : 0.3 ~ 3.0kgs.
- MAX. PROCESSING TEMP. : 230°C FOR 30 ~ 60 SECONDS.

**ORDER INFORMATION**



SCHEMATIC		TOLERANCE		DRAWER		ASTRON	
	.0 = $\pm .30$ [.012]	DRAWER <i>Katherlin</i>		ASTRON TECHNOLOGY CORP.			
	.00 = $\pm .20$ [.008]	CHECK <i>SUB</i>	APP'D <i>WJSELY</i>		NAME		
	.000 = $\pm .XXX$	PRODUCT SPEC.		EARPHONE JACK 2.50mm DIA. SMT TYPE, ALL PLASTIC			
.0000 = $\pm$	UNITS : mm [inch]		DRAW NO.		C507-0004		
ANG. = $\pm 3^\circ$	SCALE NONE	SIZE A4	SHEET 1 OF 1	REV. C	10018		