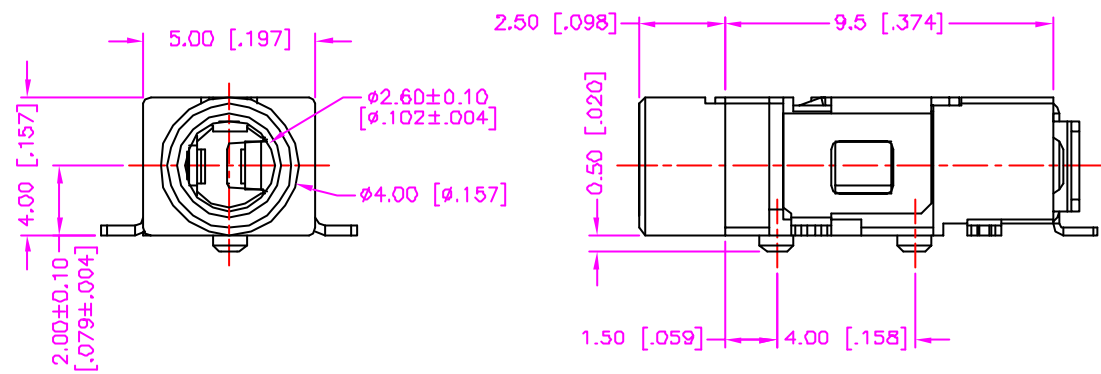


REV.	DESCRIPTION	DATE
—	RELEASE	Mar 24, 2000
1		
2		



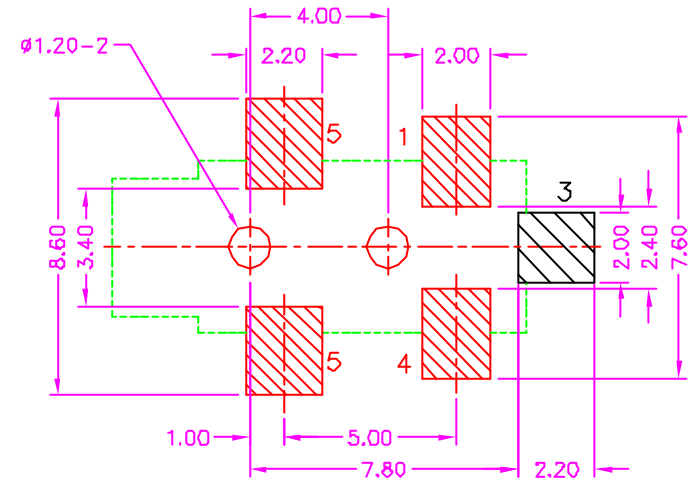
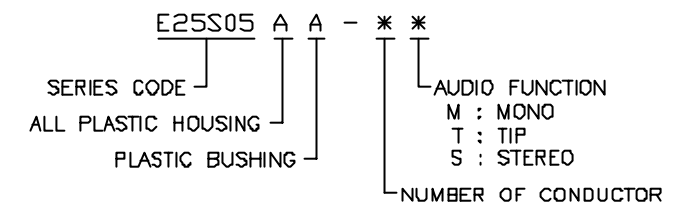
**MATERIALS**

- 1. HOUSING : HI.-TEMP. PLASTIC (UL 94V-0), BLACK.
- 2. TERMINAL : COPPER ALLOY, SILVER PLATING.

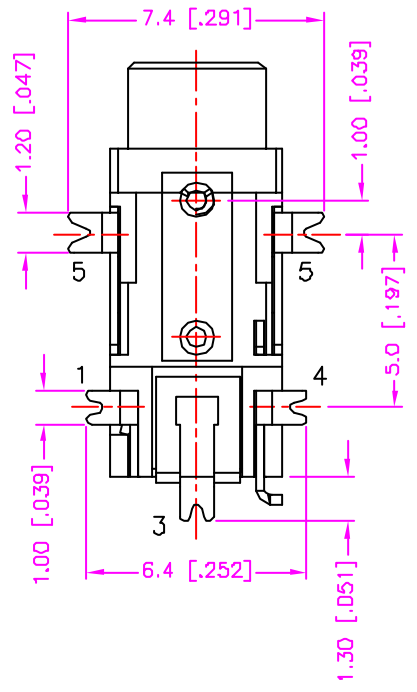
**SPECIFICATION**

- 1. CURRENT RATING : 0.3 AMP. MAX.
- 2. DIELECTRIC WITHSTANDING VOLTAGE : 250V AC R.M.S. FOR ONE MINUTE.
- 3. INSULATION RESISTANCE : 100M OHMS MIN. AT 250V DC
- 4. CONTACT RESISTANCE : 50m OHMS MAX.
- 5. OPERATING TEMPERATURE : -25°C TO +85°C.
- 6. DURABILITY : 5000 CYCLES.
- 7. MATING FORCE : 0.3 ~ 3.0kgs.
- 8. UNMATING FORCE : 0.3 ~ 3.0kgs.
- 9. MAX. PROCESSING TEMP. : 230°C FOR 30 ~ 60 SECONDS.

**ORDER INFORMATION**



RECOMMEND P.C.B. LAYOUT TOP VIEW



SCHEMATIC			TOLERANCE	DRAWER	 <b>ASTRON TECHNOLOGY CORP.</b> NAME EARPHONE JACK 2.50mm DIA. SMT TYPE, ALL PLASTIC DRAW NO. C507-0003
			.0±.30 [0.12] .00±.20 [0.008] .000±.XXX .0000±. ANG.=±3°	<i>Katherlin</i>	
			UNITS : mm [inch]	<i>Sue</i>	
			SCALE NONE	<i>Wisely</i>	
E25S05AA-3S	E25S05AA-3M	E25S05AA-4T	SIZE A4	PRODUCT SPEC. —	
			SHEET 1 OF 1	510-0016	
			REV. A		
					08005