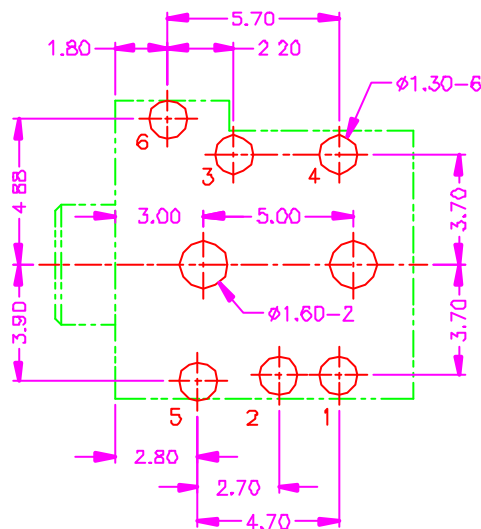
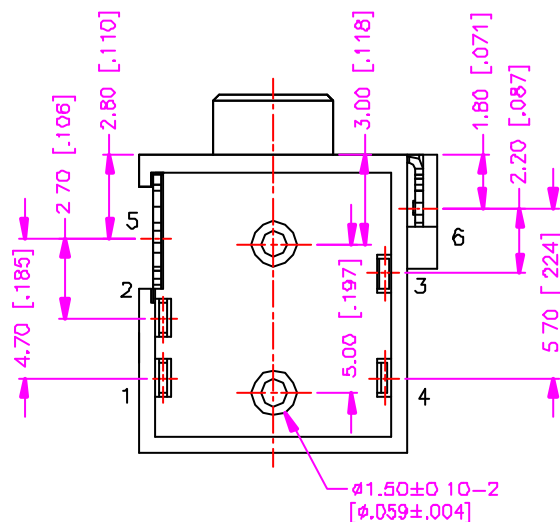
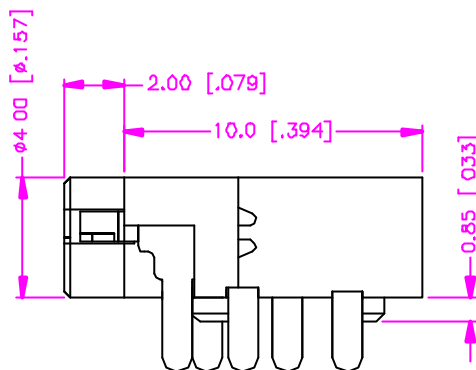
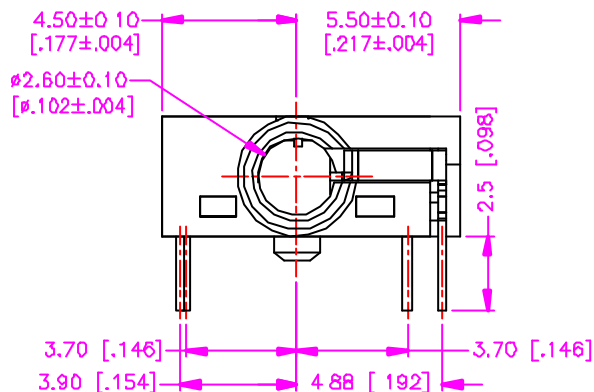


REV.	DESCRIPTION	DATE
—	RELEASE	Apr. 24, 2001
1	MATERIAL MODIFY	Jun 1, 2001
2		



RECOMMEND P.C.B. LAYOUT  
 BOTTOM VIEW

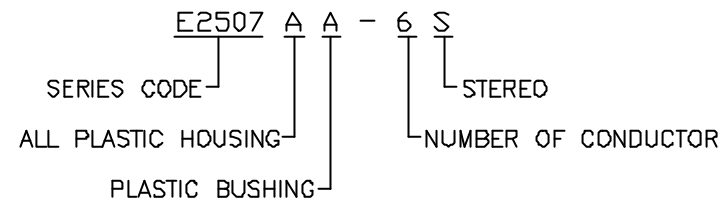
### MATERIALS

1. HOUSING : THERMOPLASTIC (UL 94V-0), BLACK.
2. TERMINAL : COPPER ALLOY, GOLD PLATING.

### SPECIFICATION

1. CURRENT RATING : 0.3 AMP. MAX.
2. DIELECTRIC WITHSTANDING VOLTAGE : 250V AC R.M.S. FOR ONE MINUTE.
3. INSULATION RESISTANCE . 100M OHMS MIN. AT 250V DC
4. CONTACT RESISTANCE : 50m OHMS MAX.
5. OPERATING TEMPERATURE : -25°C TO +85°C.
6. DURABILITY : 5000 CYCLES.
7. MATING FORCE : 0.3 ~ 3.0kgs
8. UNMATING FORCE : 0.3 ~ 3.0kgs.

### ORDER INFORMATION



SCHEMATIC		TOLERANCE	DRAWER	ASTRON TECHNOLOGY CORP	
		.0±.30 [.012]	<i>Kathelin</i>		NAME EARPHONE JACK 2.50mm DIA. ALL PLASTIC
		00±.20 [.008]	CHECK <i>Lee</i>		
		000±.XXX	APP'D <i>Wisely</i>	PRODUCT SPEC. —	DRAW NO. C506-0013
		0000±.	UNITS : mm [inch]	SCALE NONE	SHEET 1 OF 1
ANG.=±3°	SIZE A4	SHEET 1 OF 1	REV. <span style="background-color: green; color: white;">■</span>	Ø8005	