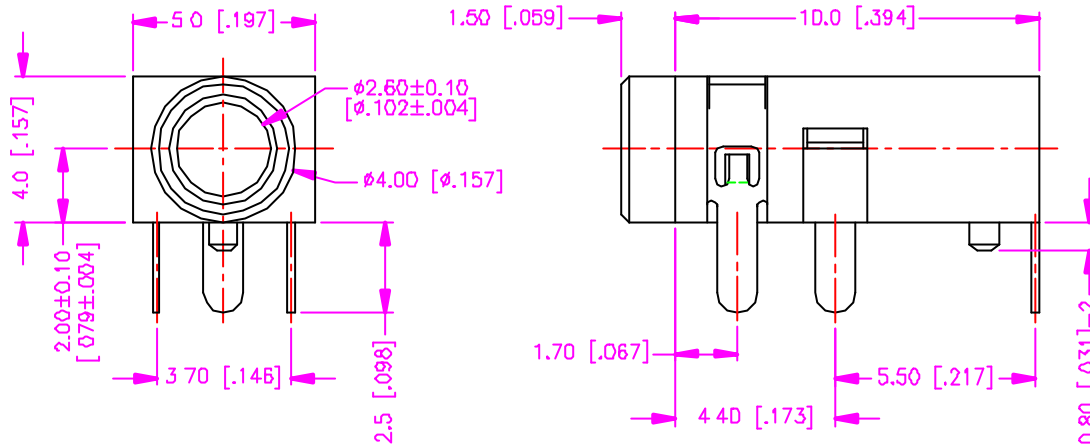


REV.	DESCRIPTION	DATE
—	RELEASE	Nov. 20, 2000
1	MATERIAL MODIFY	Jun 1, 2001
2		



MATERIALS

- HOUSING : POLYAMIDE (UL 94V-0), BLACK.
- TERMINAL : COPPER ALLOY, SILVER PLATING.

SPECIFICATION

- CURRENT RATING : 0.3 AMP. MAX.
- DIELECTRIC WITHSTANDING VOLTAGE : 500V AC R.M.S. FOR ONE MINUTE.
- INSULATION RESISTANCE : 100M OHMS MIN. AT 500V DC
- CONTACT RESISTANCE : 50m OHMS MAX.
- OPERATING TEMPERATURE : -25°C TO +85°C
- DURABILITY : 5000 CYCLES.
- MATING FORCE : 0.3 ~ 3.0kgs.
- UNMATING FORCE : 0.3 ~ 3.0kgs.

ORDER INFORMATION

E2506 A A - 3 S

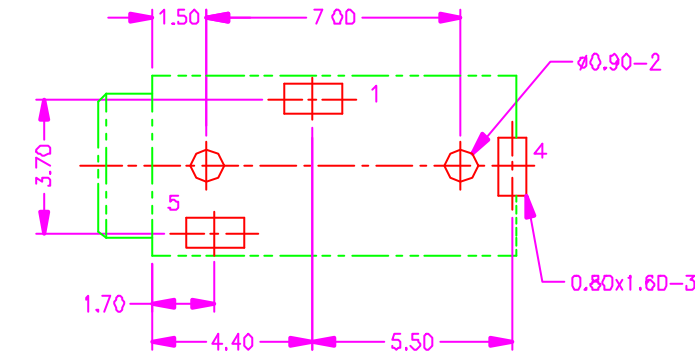
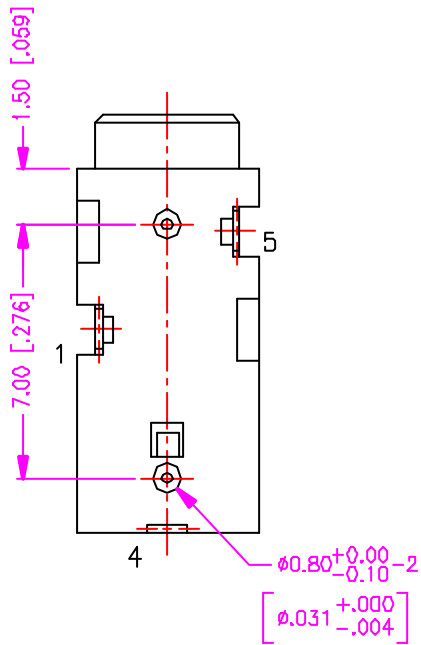
SERIES CODE

ALL PLASTIC HOUSING

PLASTIC BUSHING

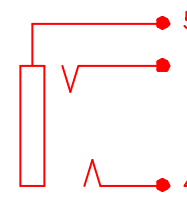
STEREO

NUMBER OF CONDUCTOR



RECOMMEND P.C.B. LAYOUT
BOTTOM VIEW

SCHEMATIC



TOLERANCE	
.0=±.30 [0.012]	
00=±.20 [0.008]	
000=± XXX	
0000=±	
ANG.=±3°	

DRAWER	Katherlin
CHECK	Jee
APP'D	Wisely
PRODUCT SPEC	—
UNITS : mm [inch]	510-0014
SCALE	NONE
SIZE	A4
SHEET	1 OF 1
REV.	1

Astron	
ASTRON TECHNOLOGY CORP	
NAME	
EARPHONE JACK 2.50mm DIA. ALL PLASTIC	
DRAW NO.	
C506-0012	
DB005	