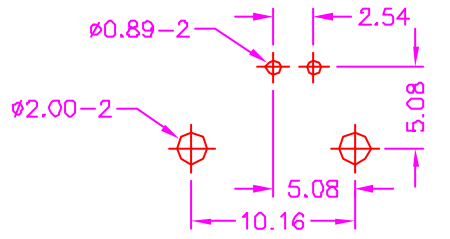
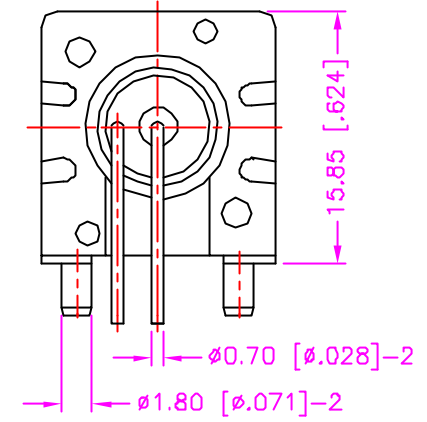
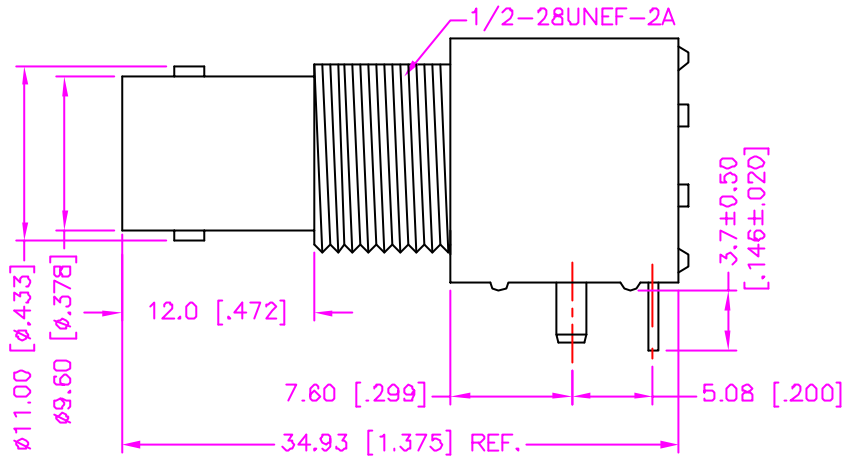
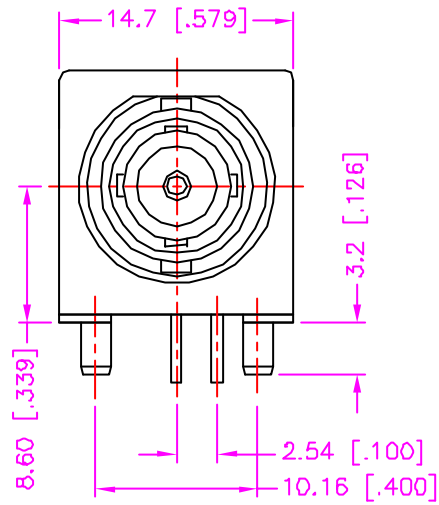
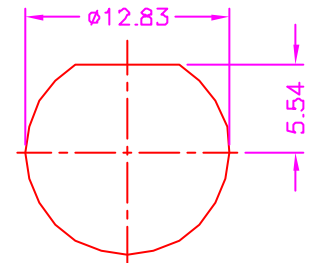


REV.	DESCRIPTION	DATE
—	RELEASE	Oct. 09, 2002
1	DRAW MODIFY	Nov. 28, 2003
2		



RECOMMEND P.C.B. LAYOUT
TOP VIEW



RECOMMEND PANEL CUTOUT

ORDER INFORMATION :

51 - 0104 D - ** *

SERIES CODE

HOUSING HEIGHT 15.85mm

CONNECTOR IMPEDANCE OPTIONS

50 : 50 OHMS
75 : 75 OHMS

HOUSING COLOR OPTIONS

W : WHITE
BLANK : BLACK

MATERIALS

1. HOUSING : POLYESTER (UL 94V-0).
2. INSULATOR : PE-606, NATURAL.
3. SHIELD : ZINC ALLOY, NICKEL PLATING.
4. CENTER CONTACT : COPPER ALLOY, GOLD PLATING.
5. GROUNDING TERMINAL : COPPER ALLOY, TIN PLATING.
6. POST : BRASS, TIN PLATING.

SPECIFICATION

1. DIELECTRIC WITHSTANDING VOLTAGE : 1000V AC R.M.S. FOR ONE MINUTE.
2. INSULATION RESISTANCE : 5000M OHMS MIN. AT 1000V DC.
3. CONTACT RESISTANCE : 30m OHMS MAX.
4. OPERATING TEMPERATURE : -25°C TO +85°C.
5. DURABILITY : 500 CYCLES.
6. FREQUENCY RANGE : 0~2 GHz.
7. VOLTAGE PEAK MAX. : 500V.

TOLERANCE .0±.38 [.015] .00±.25 [.010] .000±.xxx .0000±. ANG.=±3'	DRAWER <i>Katherlin</i>	Astron ASTRON TECHNOLOGY CORP.
UNITS : mm [inch]	CHECK <i>PUB</i>	
SCALE NDNE	SIZE A4	NAME BNC CONNECTOR ALL PLASTIC, P.C.B. R/A FEMALE
SHEET 1 OF 1	REV. B	DRAW NO. C505-0009
		10007