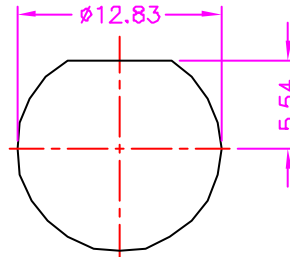
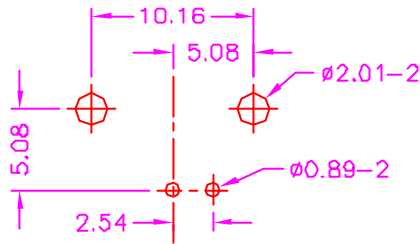
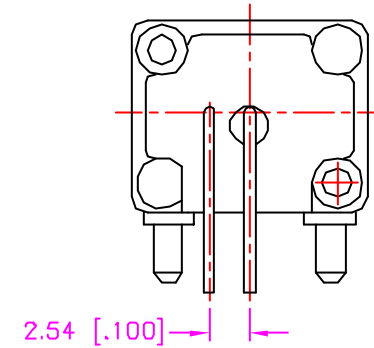
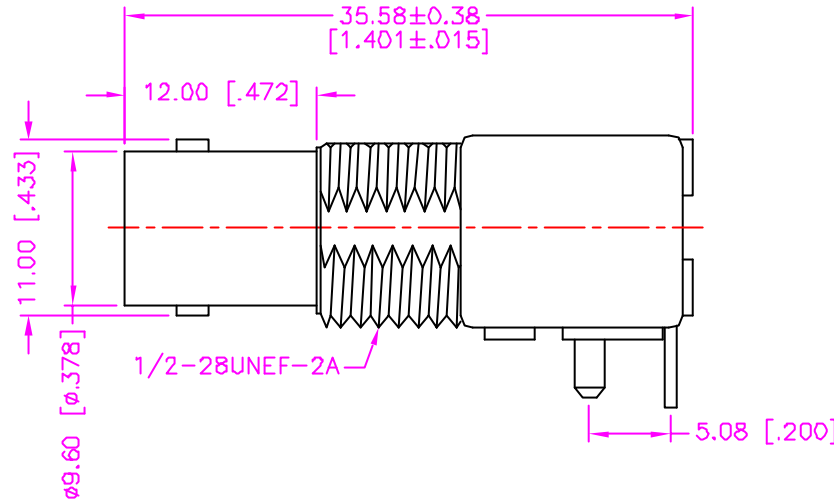
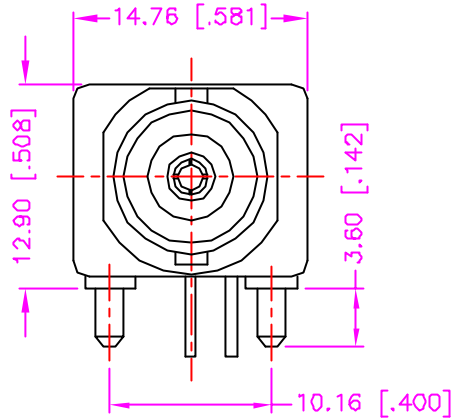


REV.	DESCRIPTION	DATE
—	RELEASE	Sep. 24, 2002
1		
2		



ORDER INFORMATION :

51 - 0106 B - 75
 SERIES CODE
 HOUSING HEIGHT 12.90mm
 75 OHMS

RECOMMEND P.C.B. LAYOUT
 BOTTOM VIEW

RECOMMEND PANEL CUTOUT

MATERIALS

1. BODY : ZINC ALLOY, NICKEL PLATING.
2. INSULATOR : PE., TRANSPARENT.
3. CENTER CONTACT : PHOSPHOR BRONZE, GOLD PLATING.
4. GROUNDING : COPPER ALLOY, TIN PLATING.
5. POST : BRASS, TIN PLATING.

SPECIFICATION

1. DIELECTRIC WITHSTANDING VOLTAGE : 1000V AC R.M.S. FOR ONE MINUTE.
2. INSULATION RESISTANCE : 5000M OHMS MIN. AT 500V DC.
3. CONTACT RESISTANCE : 30m OHMS MAX.
4. OPERATING TEMPERATURE : -40°C TO +85°C.
5. DURABILITY : 100 CYCLES.
6. FREQUENCY RANGE : 0~4 GHz.
7. MAX. PEAK VOLTAGE : 500V.

TOLERANCE .0=±.38 [.015] .00=±.25 [.010] .000=±.XXX .0000=±. ANG.=±3°		DRAWER <i>PUB</i>	Astron ASTRON TECHNOLOGY CORP.
UNITS : mm [inch]		CHECK <i>Katherlin</i>	
SCALE NDNE		APP'D <i>ALBL</i>	NAME BNC CONNECTOR RIGHT ANGLE, FULL METAL FEMALE
SIZE A4	SHEET 1 OF 1	PRODUCT SPEC. —	DRAW NO. C505-0008
	REV. A		10007