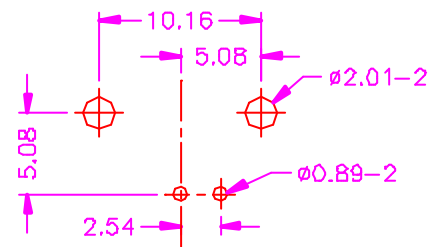
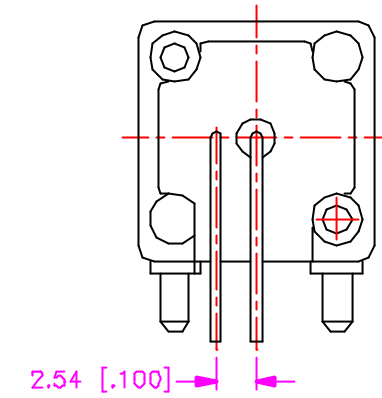
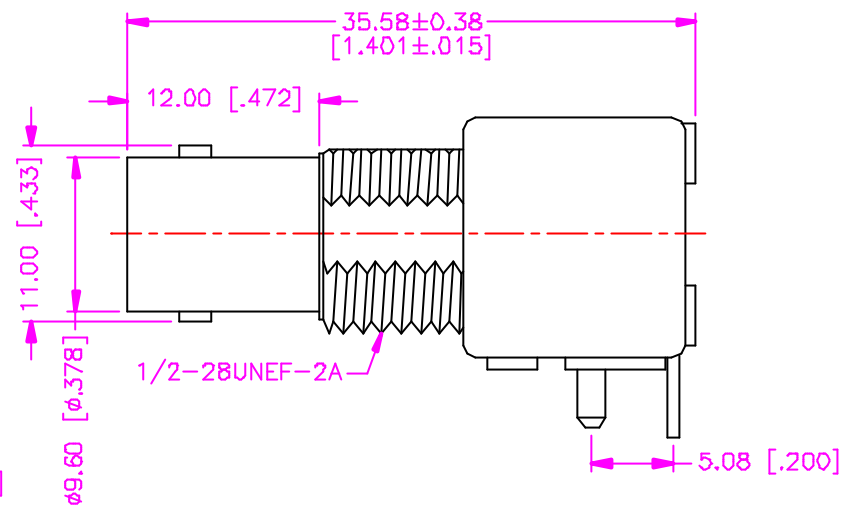
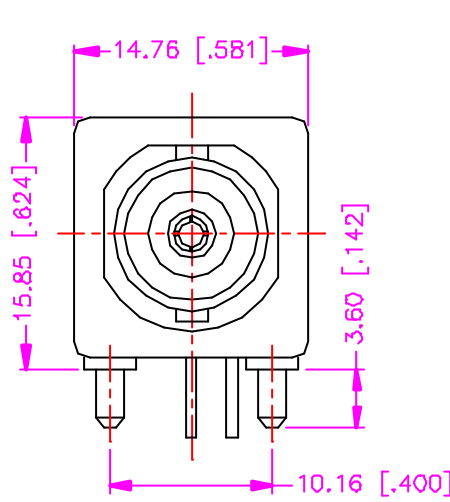
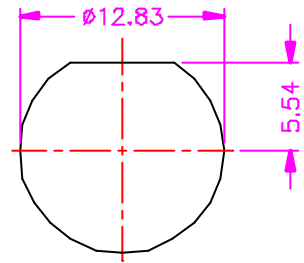


REV.	DESCRIPTION	DATE
—	RELEASE	Jul 19, 2002
1		
2		

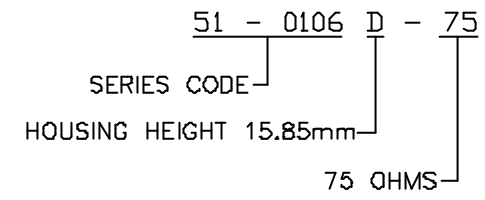


RECOMMEND P.C.B. LAYOUT
BOTTOM VIEW



RECOMMEND PANEL CUTOUT

ORDER INFORMATION :



MATERIALS

1. BODY : ZINC ALLOY, NICKEL PLATING.
2. INSULATOR : PE., TRANSPARENT.
3. CENTER CONTACT : PHOSPHOR BRONZE, GOLD PLATING.
4. GROUNDING : COPPER ALLOY, TIN PLATING.
5. POST : BRASS, TIN PLATING.

SPECIFICATION

1. DIELECTRIC WITHSTANDING VOLTAGE : 1000V AC R.M.S. FOR ONE MINUTE.
2. INSULATION RESISTANCE : 5000M OHMS MIN. AT 500V DC.
3. CONTACT RESISTANCE : 30m OHMS MAX.
4. OPERATING TEMPERATURE : -40°C TO +85°C.
5. DURABILITY : 100 CYCLES.
6. FREQUENCY RANGE : 0~4 GHz.
7. MAX. PEAK VOLTAGE : 500V.

TOLERANCE .0=±.38 [.015] .00=±.25 [.010] .000=±.XXX .0000=±. ANG.=±3°	DRAWER <i>PUB</i>	Astron ASTRON TECHNOLOGY CORP.		
UNITS : mm [inch]	CHECK <i>Katherlin</i>		NAME BNC CONNECTOR RIGHT ANGLE, FULL METAL FEMALE	
SCALE NONE	SIZE A4	APP'D <i>WJSELY</i>	PRODUCT SPEC. —	DRAW NO. C505-0007
SHEET 1 OF 1	REV. A	10007		