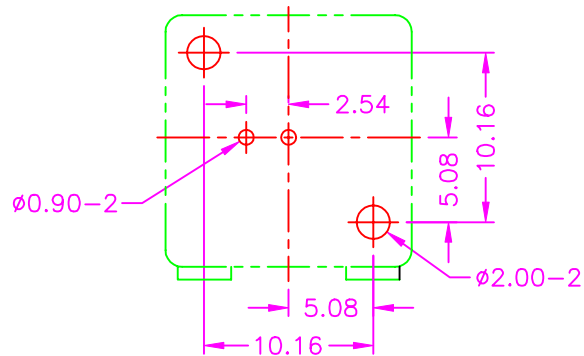
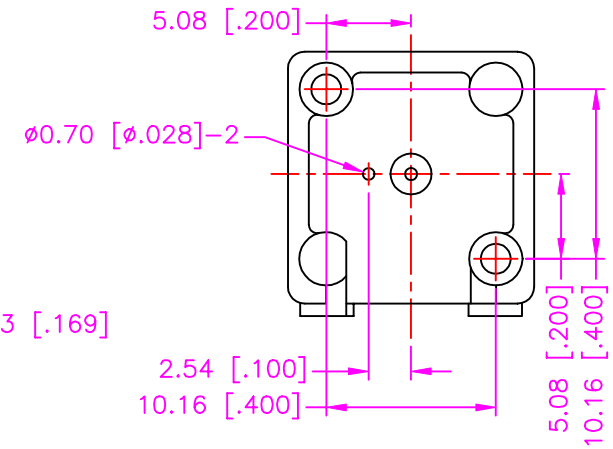
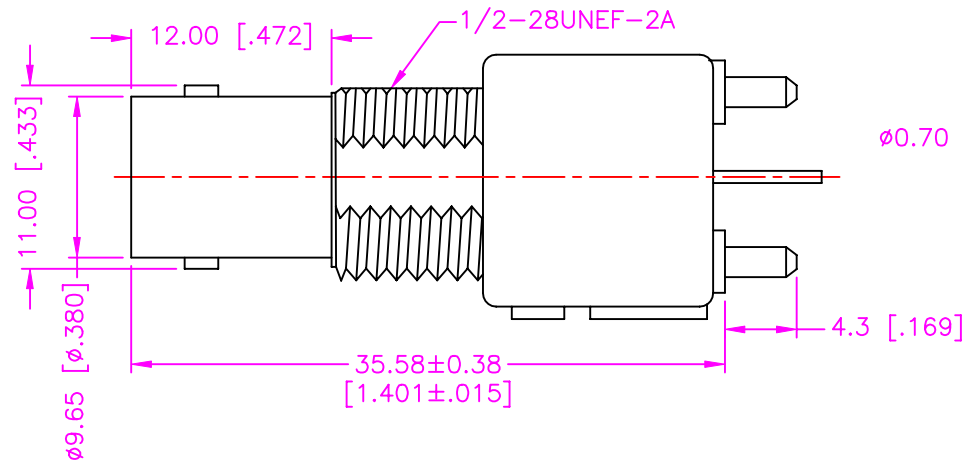
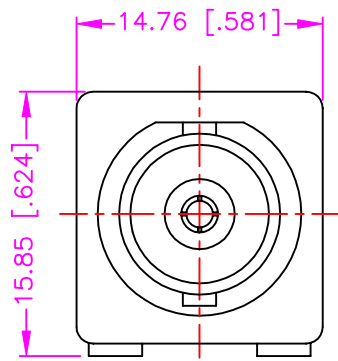
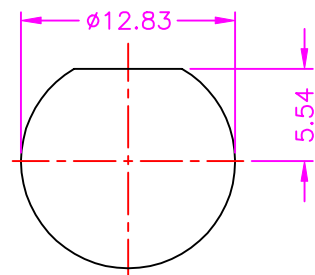


REV.	DESCRIPTION	DATE
—	RELEASE	May 29, 2002
1		
2		



RECOMMEND P.C.B. LAYOUT
BOTTOM VIEW



RECOMMEND PANEL CUTOUT

ORDER INFORMATION :

51 - 0113 D - **
 SERIES CODE
 HOUSING HEIGHT 15.85mm
 CONNECTOR IMPEDANCE OPTIONS
 50 : 50 OHMS
 75 : 75 OHMS

MATERIALS

1. BODY : ZINC ALLOY, NICKEL PLATING.
2. INSULATOR : PE.
3. CENTER CONTACT : PHOSPHOR BRONZE, GOLD PLATING.
4. GROUNDING : COPPER ALLOY, TIN PLATING.
5. POST : BRASS, TIN PLATING.

SPECIFICATION

1. DIELECTRIC WITHSTANDING VOLTAGE : 1000V AC R.M.S. FOR ONE MINUTE.
2. INSULATION RESISTANCE : 5000M OHMS MIN. AT 50V DC.
3. CONTACT RESISTANCE : 30m OHMS MAX.
4. OPERATING TEMPERATURE : -40°C TO +85°C.
5. DURABILITY : 100 CYCLES.
6. FREQUENCY RANGE : 0~4 GHz.
7. MAX. PEAK VOLTAGE : 500V.

TOLERANCE .0=±.38 [.015] .00=±.25 [.010] .000=±.XXX .0000=±. ANG.=±3°		DRAWER <i>Katherlin</i> CHECK <i>SUE</i> APP'D <i>WJZ&LY</i>	 ASTRON TECHNOLOGY CORP. NAME BNC CONNECTOR VERTICAL, FULL METAL FEMALE
UNITS : mm [inch]		PRODUCT SPEC. 505-0004	
SCALE NONE	SIZE A4	SHEET 1 OF 1	REV. A 10007