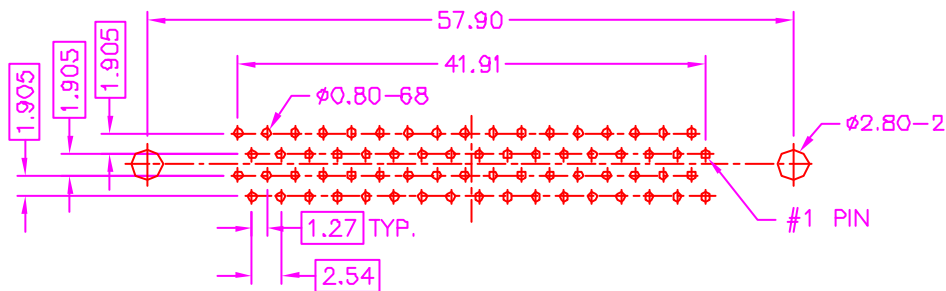
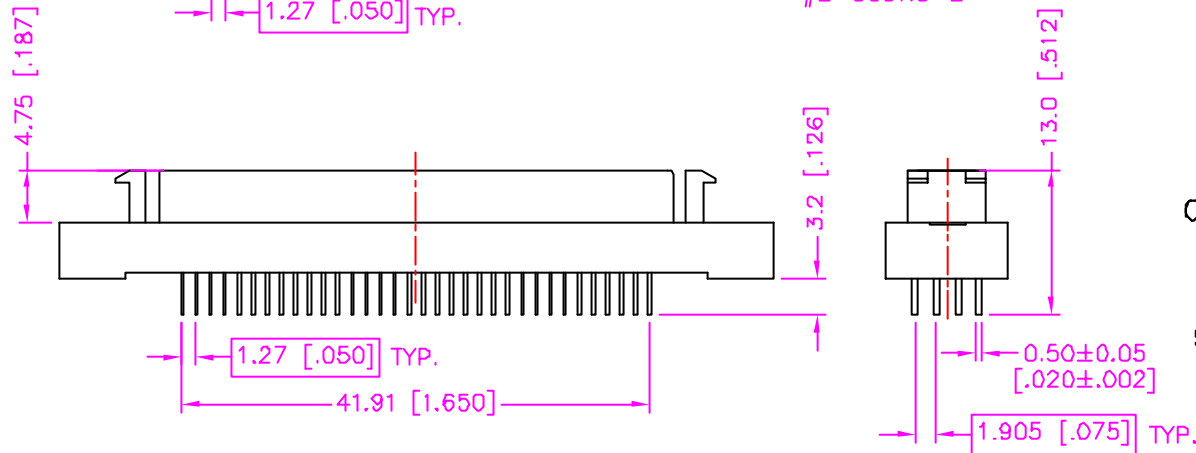
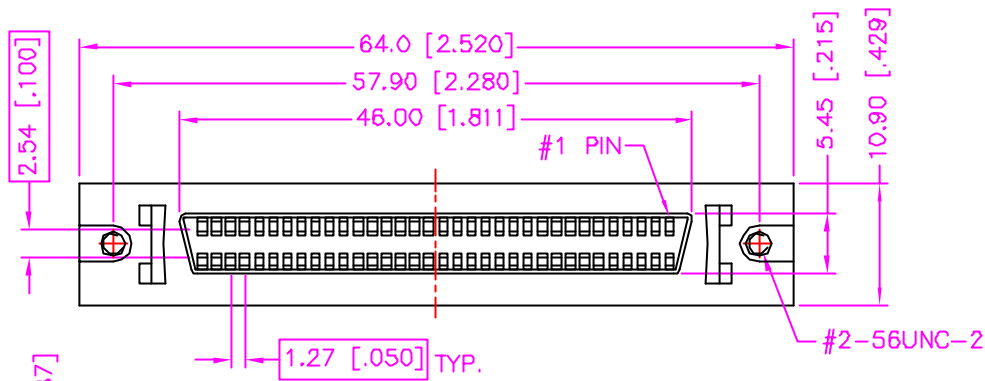


REV.	DESCRIPTION	DATE
—	RELEASE	Nov. 18, 2002
1		
2		



RECOMMEND P.C.B. LAYOUT
TOP VIEW

MATERIALS

1. HOUSING : POLYESTER (UL 94V-0), BLACK.
2. TERMINAL ; PHOSPHOR BRONZE. ($t=0.30\text{mm}$)
3. SHELL : ZINC ALLOY, NICKEL PLATING.

SPECIFICATION

1. CURRENT RATING : 1 AMP. MAX.
2. DIELECTRIC WITHSTANDING VOLTAGE : 500V AC R.M.S. FOR ONE MINUTE.
3. INSULATION RESISTANCE : 500M OHMS MIN. AT 500V DC.
4. CONTACT RESISTANCE : 35m OHMS MAX.
5. OPERATING TEMPERATURE : -55°C TO $+105^{\circ}\text{C}$.
6. DURABILITY : 500 CYCLES.

ORDER INFORMATION :

10 - 04 2 - 68 - * T - 1

SERIES CODE

TIN PLATING ON SOLDER TAIL

CONTACT PLATING OPTIONS

- 1 : GOLD FLASH
- 2 : .000010" GOLD
- 3 : .000015" GOLD
- 5 : .000030" GOLD

NUMBER OF POSITION

P.C.B. LAYOUT STYLE

2 : STYLE 2

TOLERANCE		DRAWER		 ASTRON TECHNOLOGY CORP.
.0 \pm .30 [.012]		JUS		
.00 \pm .20 [.008]		CHECK		
.000 \pm .XXX		APP'D		NAME
.0000 \pm .		ANG. \pm 3°		SCSI SERIES
		PRODUCT SPEC.		PIN TYPE, STYLE 2, FEMALE, VERTICAL METAL SHELL, WITH LATCH
UNITS : mm [inch]		DRAW NO.		C451-0027
SCALE	SIZE	SHEET	REV.	18003
NONE	A4	1 OF 1	A	