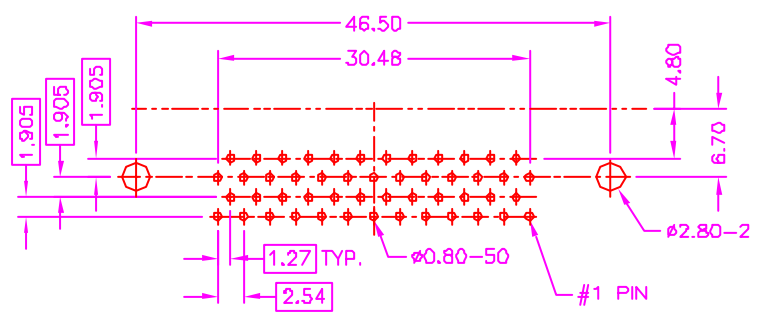
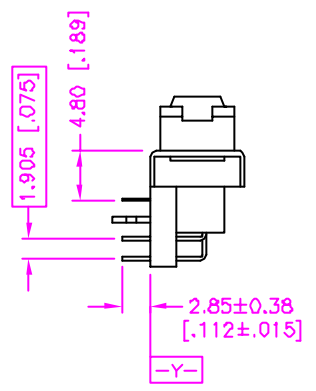
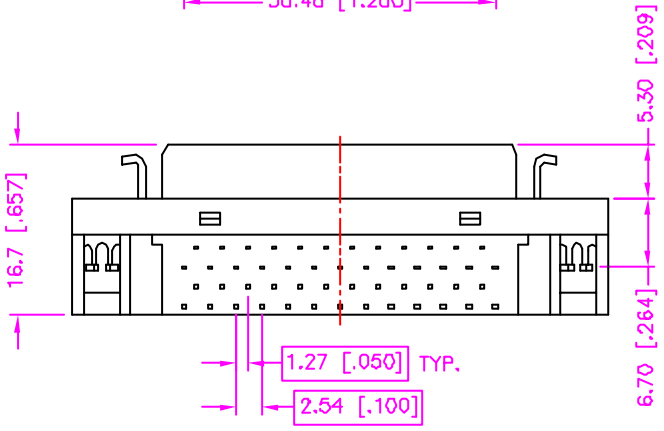
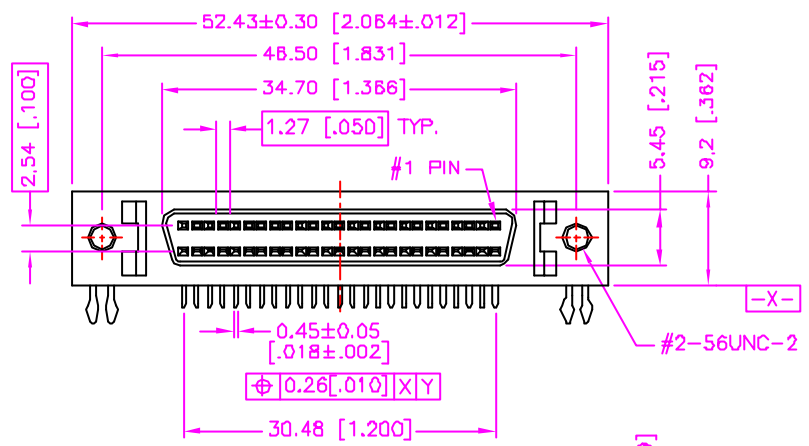


| REV. | DESCRIPTION | DATE |
|------|-------------|---------------|
| — | RELEASE | Apr. 18, 2001 |
| 1 | | |
| 2 | | |



RECOMMEND P.C.B. LAYOUT
BOTTOM VIEW

MATERIALS

1. HOUSING : THERMOPLASTIC (UL 94V-0), BLACK.
2. TERMINAL : PHOSPHOR BRONZE. (t=0.30mm)
3. SHELL : STEEL, NICKEL PLATING.

SPECIFICATION

1. CURRENT RATING : 1 AMP. MAX.
2. DIELECTRIC WITHSTANDING VOLTAGE : 500V AC R.M.S. FOR ONE MINUTE.
3. INSULATION RESISTANCE : 500M OHMS MIN. AT 500V DC.
4. CONTACT RESISTANCE : 35m OHMS MAX.
5. OPERATING TEMPERATURE : -20°C TO +85°C.
6. DURABILITY : 500 CYCLES.

ORDER INFORMATION :

10 - 07 1 - 50 - * T - 1
 SERIES CODE | TYPE 1
 P.C.B. LAYOUT STYLE | TIN PLATING ON SOLDER TAIL
 1 : STYLE 1
 NUMBER OF POSITION | CONTACT PLATING OPTIONS
 1 : GOLD FLASH
 2 : .000010" GOLD
 3 : .000015" GOLD
 5 : .000030" GOLD

| | | |
|--|----------------------------|---|
| TOLERANCE .0±.30 [.012] .00±.20 [.008] .000±.XXX .0000±. ANG.=±3° | DRAWER <i>Katherine</i> | ASTRON TECHNOLOGY CORP. |
| | CHECK <i>Sea</i> | |
| UNITS : mm [inch] | APP'D <i>Wisely</i> | PIN TYPE, FEMALE, RIGHT ANGLE STYLE 1, METAL SHIELD WITH LATCH |
| | PRODUCT SPEC. — | DRAW NO. C451-0019 |
| SCALE NDNE | SIZE A4 | SHEET 1 OF 1 |
| | REV. A | 18003 |