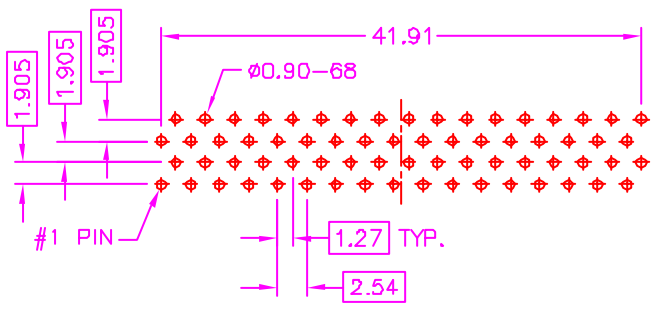
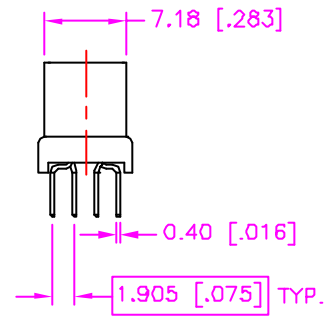
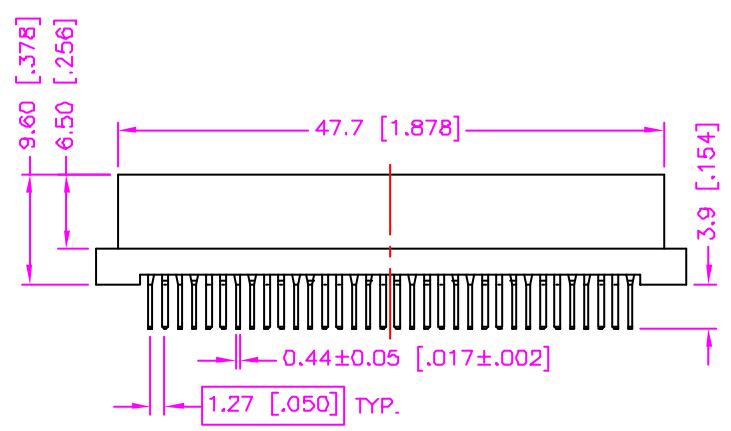
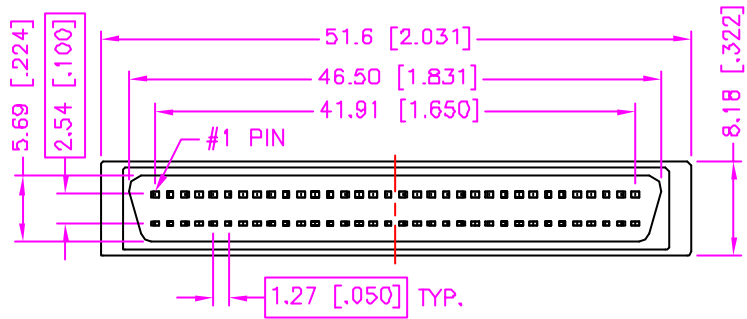


REV.	DESCRIPTION	DATE
—	RELEASE	May 3, 2000
1	MATERIAL MODIFY	Jun. 1, 2001
2	DRAW MODIFY	Aug. 17, 2001



RECOMMEND P.C.B. LAYOUT  
BOTTOM VIEW

**MATERIALS**

- 1. HOUSING : THERMOPLASTIC (UL 94V-0), BLACK.
- 2. TERMINAL : COPPER ALLOY. (t=0.40mm)

**SPECIFICATION**

- 1. CURRENT RATING : 0.5 AMP. MAX.
- 2. DIELECTRIC WITHSTANDING VOLTAGE : 300V AC R.M.S. FOR ONE MINUTE.
- 3. INSULATION RESISTANCE : 1000M OHMS MIN. AT 250V DC.
- 4. OPERATING TEMPERATURE : -40°C TO +85°C.

**ORDER INFORMATION :**

10 - 01 1 - 68 - \* T  
 SERIES CODE | P.C.B. LAYOUT STYLE 1 | NUMBER OF POSITION | TIN PLATING ON SOLDER TAIL | CONTACT PLATING OPTIONS  
 1 : GOLD FLASH  
 2 : .000010" GOLD  
 3 : .000015" GOLD  
 5 : .000030" GOLD

TOLERANCE .0=±.30 [.012] .00=±.20 [.008] .000=±.XXX .0000=±. ANG.=±3°	DRAWER <i>Katherine</i> CHECK <i>PLS</i> APP'D <i>ALB</i>	 <b>ASTRON TECHNOLOGY CORP.</b> NAME SCSI SERIES PIN TYPE, STYLE 1, MALE VERTICAL, ALL PLASTIC
 UNITS : mm [inch]	PRODUCT SPEC. —	
SCALE NONE	SIZE A4	SHEET 1 OF 1
REV. C	DRAW NO. C451-0002	
09006		