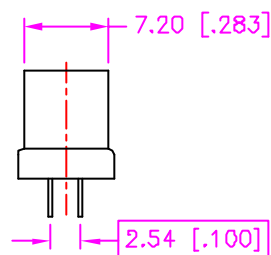
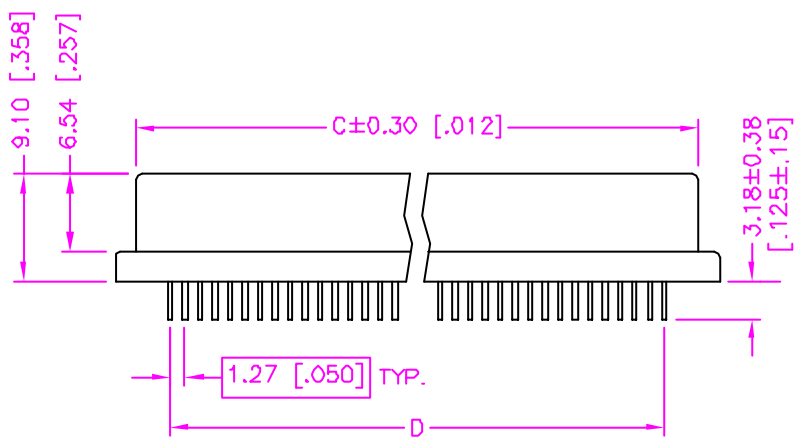
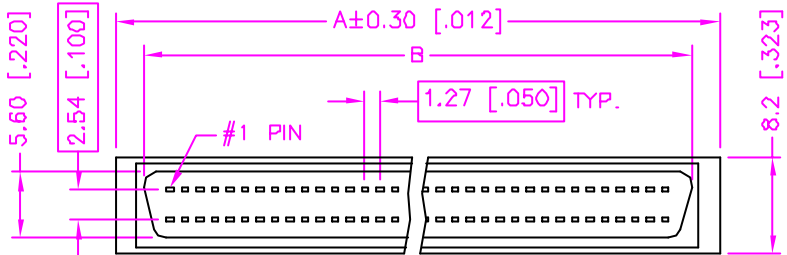


REV.	DESCRIPTION	DATE
—	RELEASE	May 3, 2000
1	MATERIAL MODIFY	Jun. 1, 2001
2	DRAW MODIFY	May. 20, 2003



MATERIALS

- HOUSING : THERMOPLASTIC (UL 94V-0), BLACK.
- TERMINAL : COPPER ALLOY. (t=0.40mm)

SPECIFICATION

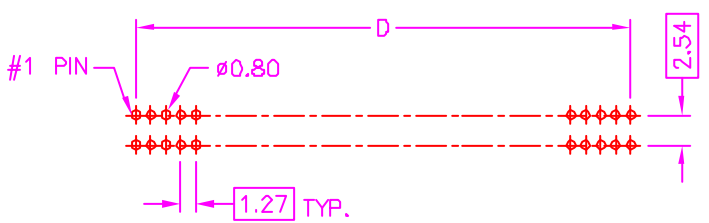
- CURRENT RATING : 1 AMP. MAX.
- DIELECTRIC WITHSTANDING VOLTAGE : 500V AC R.M.S. FOR ONE MINUTE.
- INSULATION RESISTANCE : 1000M OHMS MIN. AT 500V DC.
- OPERATING TEMPERATURE : -20°C TO +85°C.

ORDER INFORMATION :

10 - 01 0 - ** - * T

SERIES CODE | P.C.B. LAYOUT STYLE | NUMBER OF POSITION | CONTACT PLATING OPTIONS | TIN PLATING ON SOLDER TAIL

CONTACT PLATING OPTIONS:
 1 : GOLD FLASH
 2 : .000010" GOLD
 3 : .000015" GOLD
 5 : .000030" GOLD



RECOMMEND P.C.B. LAYOUT TOP VIEW

Number Of Position	DIMENSIONS			
	A	B	C	D
50	39.78[1.566]	34.85[1.372]	36.22[1.426]	30.48[1.200]
68	51.21[2.016]	46.40[1.827]	47.65[1.876]	41.91[1.650]
80	58.96[2.321]	53.90[2.122]	55.40[2.181]	49.53[1.950]

TOLERANCE .0±.30 [.012] .00±.20 [.008] .000±.XXX .0000±. ANG.=±3°	DRAWER <i>SUS</i>	Astron ASTRON TECHNOLOGY CORP.
UNITS : mm [inch]	CHECK <i>LYON</i>	
SCALE NONE	APP'D <i>Katherine</i>	NAME SCSI SERIES PIN TYPE, DUAL ROWS, MALE VERTICAL, ALL PLASTIC
SIZE A4	PRODUCT SPEC. —	DRAW NO. C451-0001
SHEET 1 OF 1	REV. C	09006