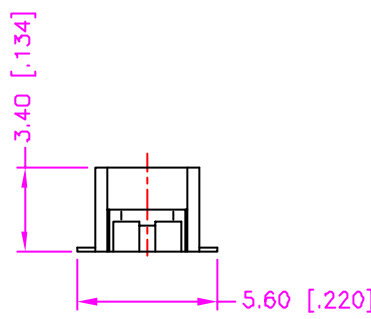
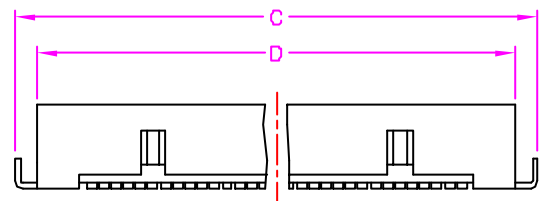
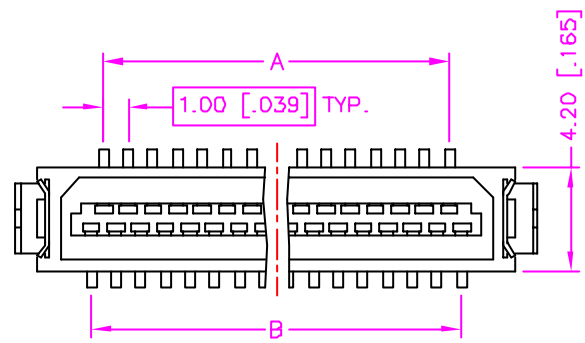


REV.	DESCRIPTION	DATE
A	RELEASE	Mar. 17, 2004
B		
C		



**MATERIALS**

1. HOUSING : HI.-TEMP. PLASTIC (UL 94V-0), NATURAL.
2. TERMINAL : PHOSPHOR BRONZE, TIN PLATING. (t=0.20mm)
3. SOLDER TAB : BRASS, TIN PLATING. (t=0.20mm)

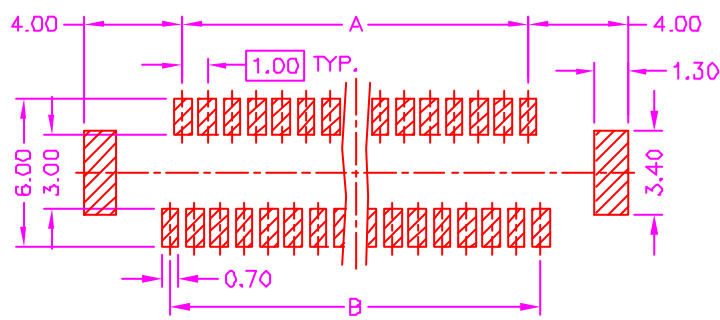
**SPECIFICATION**

1. CURRENT RATING : 0.5 AMP. MAX.
2. DIELECTRIC WITHSTANDING VOLTAGE : 250V AC R.M.S. FOR ONE MINUTE.
3. INSULATION RESISTANCE : 500M OHMS MIN. AT 250V DC.
4. OPERATING TEMPERATURE : -40°C TO +85°C.
5. MAX. PROCESSING TEMPERATURE : 230°C FOR 30 ~ 60 SECONDS.

**ORDER INFORMATION :**

35-2101M4 - \*\* 00

SERIES CODE ———  
NUMBER OF POSITIONS ———



**RECOMMEND P.C.B. LAYOUT  
TOP VIEW**

Number Of Position	DIMENSIONS			
	A	B	C	D
31	14.00[.551]	15.00[.591]	21.10[.831]	19.30[.760]
41	19.00[.748]	20.00[.787]	26.10[1.028]	24.30[.957]

TOLERANCE .0=±0.30 [.012] .00=±0.20 [.008] .000=±.xxx .0000=±. ANG.=±3°	DRAWER <i>JUB</i>	NAME <b>Astron</b> <b>WWW.ASTRON.COM.TW</b>
	CHECK <i>Katherlin</i>	
UNITS : mm [inch]	PRODUCT SPEC. —	BOARD TO BOARD CONNECTOR 1.00mm PITCH, P.C.B. MOUNT SMT VERTICAL, MALE
	SCALE NONE	SIZE A4
SHEET 1 OF 1	REV. A	09006