

REV.	DESCRIPTION	DATE
—	RELEASE	Jun. 24, 2002
1	LAYOUT MODIFY	Jul. 02, 2002
2	DRAW MODIFY	Aug. 06, 2002
3	DRAW MODIFY	Sep. 30, 2002
4	DRAW MODIFY	Nov. 13, 2002
6	P/N MODIFY	Dec. 09, 2002

$$A = \{ \text{TOTAL NO. OF PINS} - 1 \} \times 0.50 + 5.10$$

$$B = \{ \text{TOTAL NO. OF PINS} - 1 \} \times 0.50$$

$$C = \{ \text{TOTAL NO. OF PINS} - 1 \} \times 0.50 + 1.10$$

$$D = \{ \text{TOTAL NO. OF PINS} - 1 \} \times 0.50 + 7.10$$

MATERIALS

- HOUSING : HI-TEMP. PLASTIC (UL 94V-0).
- SLIDER : POLYAMIDE (UL 94V-0), BROWN.
- TERMINAL : PHOSPHOR BRONZE. (t=0.20mm)
- MATEL TAB : COPPER ALLOY, TIN PLATING. (t=0.20mm)

SPECIFICATION

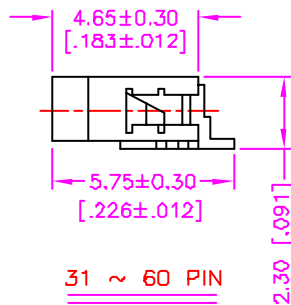
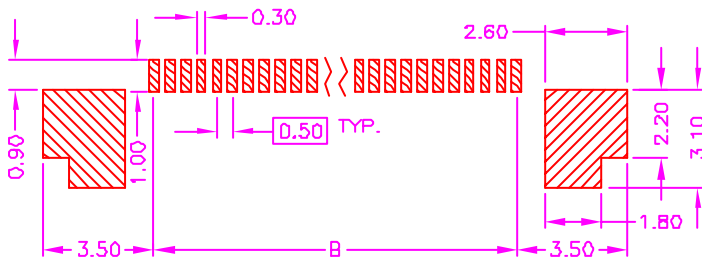
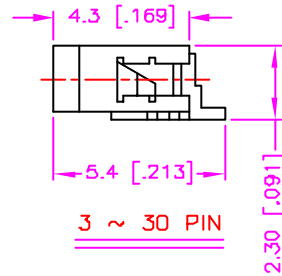
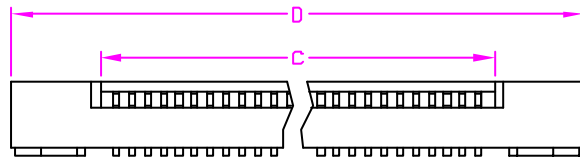
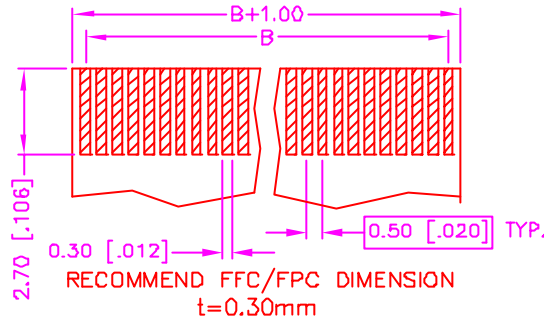
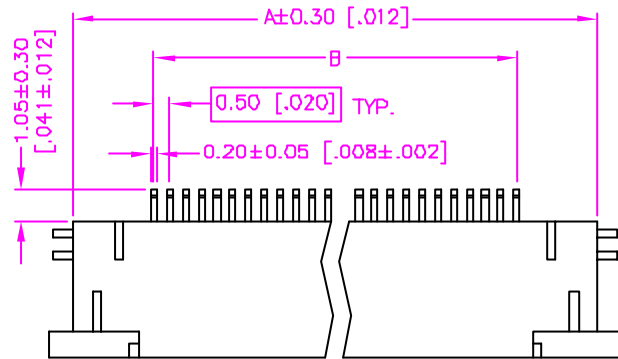
- CURRENT RATING : 0.5 AMP. MAX.
- DIELECTRIC WITHSTANDING VOLTAGE : 250V AC R.M.S. FOR ONE MINUTE.
- INSULATION RESISTANCE : 50M OHMS MIN. AT 250V DC.
- CONTACT RESISTANCE : 30m OHMS MAX.
- OPERATING TEMPERATURE : -40°C TO +85°C.
- MAX. PROCESSING TEMP. : 230°C FOR 30 ~ 60 SECONDS.

ORDER INFORMATION :


55 - 4602 1 - ** W - T - **

SERIES CODE | TOP CONTACT | NUMBER OF POSITIONS
03 ~ 60 PINS | WHITE IN HOUSING COLOR | TIN PLATING ON TERMINAL

PACKAGE OPTIONS
BLANK : TUBE
TR : TAPE & REEL



RECOMMEND P.C.B. LAYOUT
TOP VIEW

TOLERANCE .0=±0.30 [.012] .00=±0.25 [.010] .000=±.xxx .0000=±. ANG.=±3°	DRAWER <i>PUS</i> CHECK <i>ESON</i> APP'D <i>Katherlin</i>	 ASTRON TECHNOLOGY CORP. NAME FPC CONNECTOR 0.50mm PITCH, TOP CONTACT SMT, ZIF
UNITS : mm [inch]	PRODUCT SPEC. —	
SCALE NONE	SIZE A4	DRAW NO. C355-4603
SHEET 1 OF 1	REV. F	12019