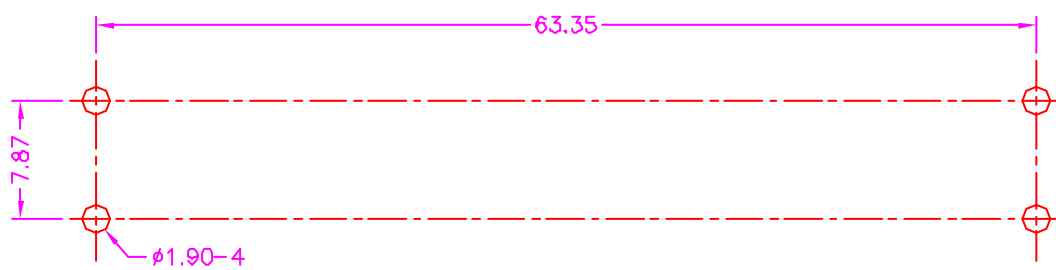
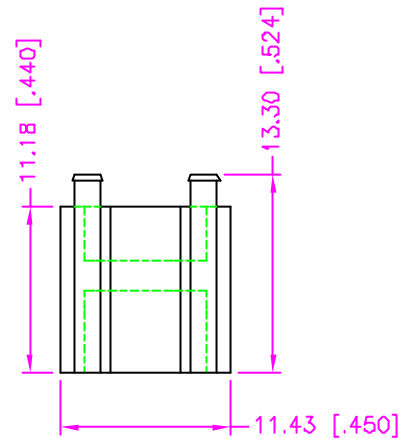
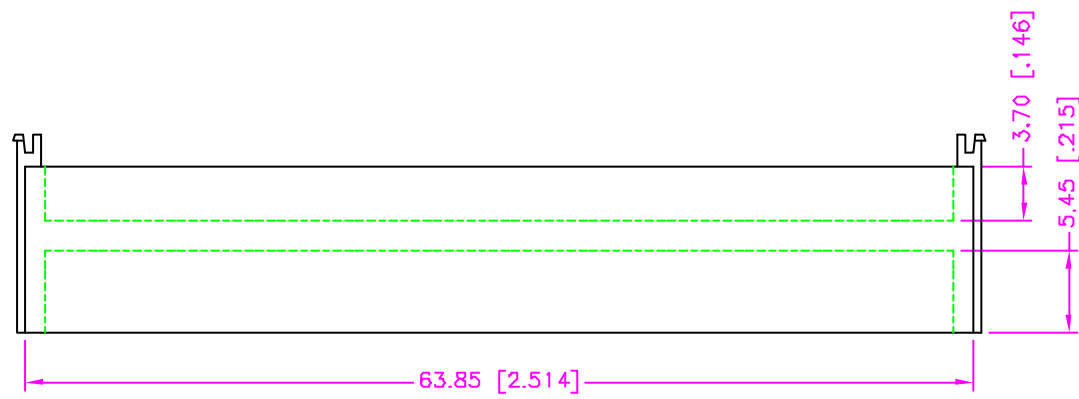
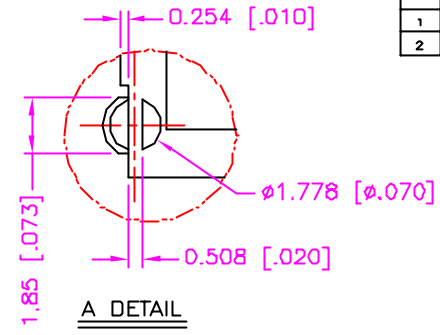
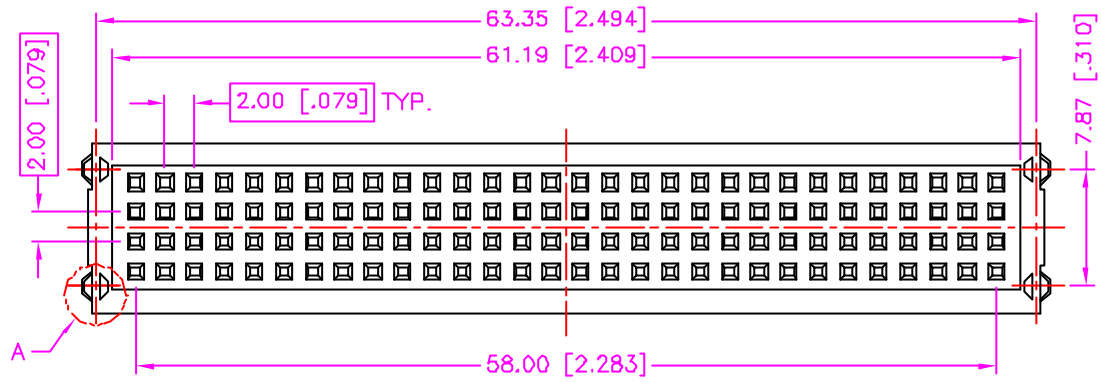


REV.	DESCRIPTION	DATE
—	RELEASE	Jul. 11, 2002
1	DRAW MODIFY	May. 06, 2003
2		



RECOMMEND P.C.B. LAYOUT
TOP VIEW

MATERIALS

1. HOUSING : POLYESTER (UL 94V-0), BLACK.

ORDER INFORMATION :

25-22-001

TOLERANCE .0=±0.30 [.012] .00=±0.20 [.008] .000=±0.10 [.004] .0000=± ANG.=±3°		DRAWER <i>MS</i> CHECK <i>Katherine</i> APP'D <i>ASL</i>		 ASTRON TECHNOLOGY CORP. NAME PCI SHROUD	
UNITS : mm [inch]		PRODUCT SPEC. — 007-0003		DRAW NO. C342-2006	
SCALE NONE	SIZE A4	SHEET 1 OF 1	REV. B	(A)	