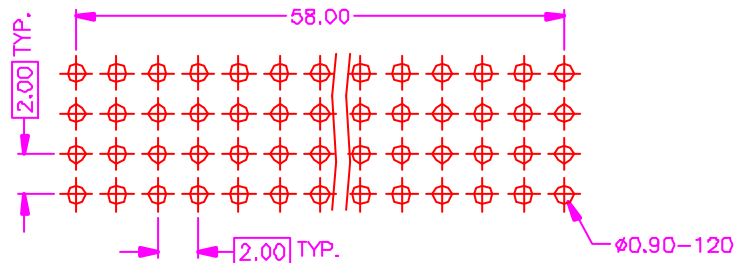
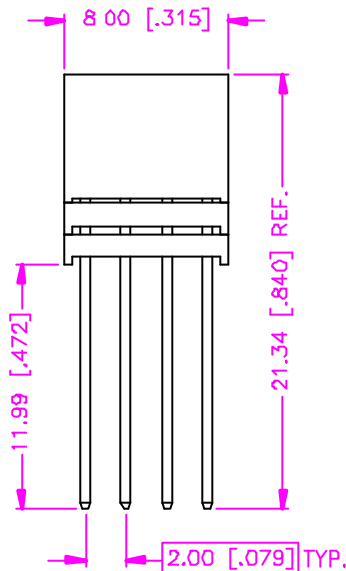
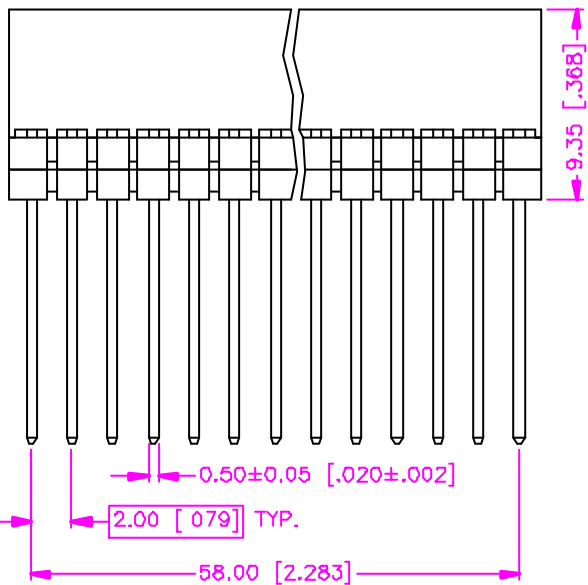
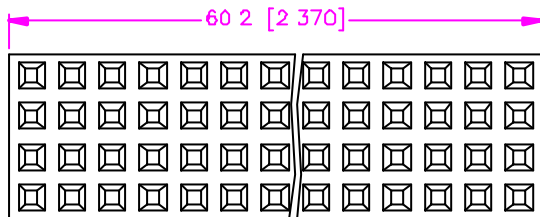


REV.	DESCRIPTION	DATE
—	RELEASE	Apr. 23, 2002
1		
2		



RECOMMEND P.C.B. LAYOUT
BOTTOM VIEW

MATERIALS

- HOUSING : PLOYAMIDE (UL 94V-0), BLACK.
- TERMINAL : PHOSPHOR BRONZE. (t=0.50mm)

SPECIFICATION

- CURRENT RATING : 1 AMP MAX.
- DIELECTRIC WITHSTANDING VOLTAGE : 800V AC R.M.S. FOR ONE MINUTE.
- INSULATION RESISTANCE : 5000M OHMS MIN. AT 500V DC.
- CONTACT RESISTANCE : 30m OHMS MAX.
- OPERATING TEMPERATURE : -55°C TO +105°C.

ORDER INFORMATION :

25 - 22 03 - 4 30 - * G

SERIES CODE — TYPE 03 — QUAD ROWS — NUMBER OF POSITION PER ROW —

GOLD PLATING ON SOLDER TAIL

CONTACT PLATING OPTIONS

- : GOLD FLASH
- : .000010" GOLD
- : .000015" GOLD
- : .000030" GOLD

TOLERANCE		DRAWER	Astron
.0=±0.30 [.012]		<i>MUS</i>	
.00=±0.20 [.008]		CHECK	ASTRON TECHNOLOGY CORP.
.000=±.XXX		APP'D	NAME
ANG.=±3°		<i>Katherine</i>	POST HEADER RECEPTACLE
		PRODUCT SPEC.	2.00mm PITCH, P.C.B. MOUNT
UNITS : mm [inch]		315-0008	VERTICAL, ELEVATED TYPE
SCALE	SIZE	SHEET	DRAW NO.
NONE	A4	1 OF 1	C342-2004
		REV.	(A)
		A	