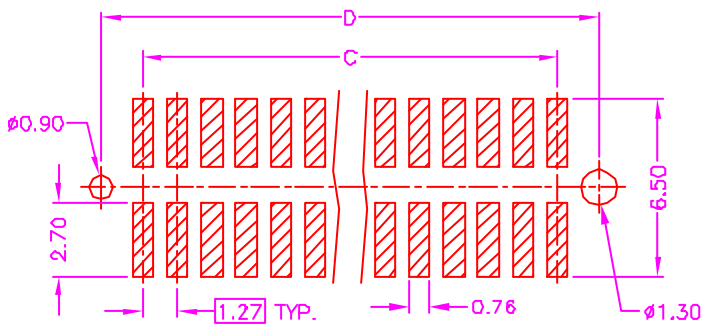
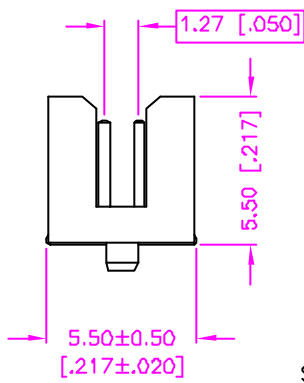
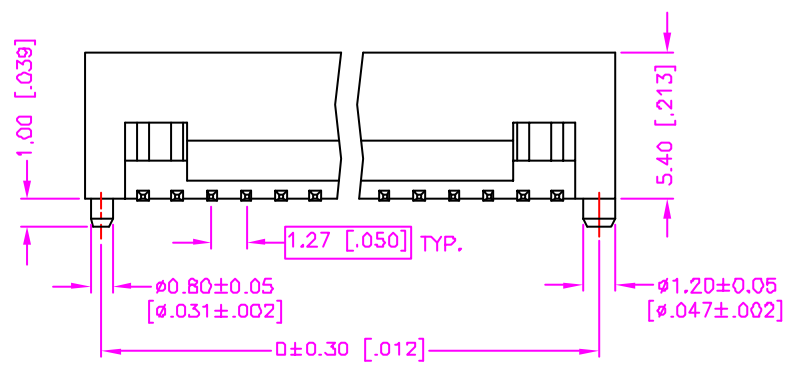
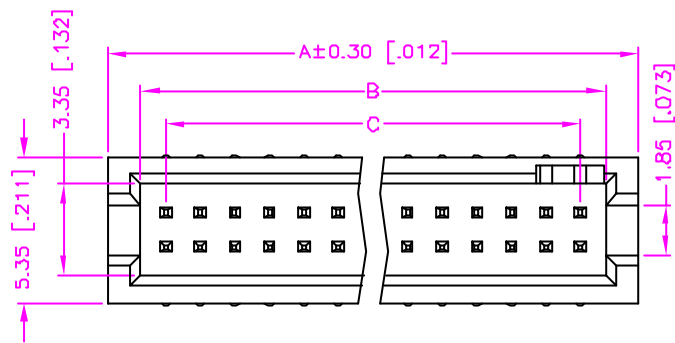


REV.	DESCRIPTION	DATE
—	RELEASE	Oct. 17, 2000
1		
2		

$A = (\text{NO. OF POSITIONS PER ROW}) \times 1.27 + 3.00$
 $(\text{NO. OF POSITIONS PER ROW}) \times 0.050 + 1.18$
 $B = (\text{NO. OF POSITIONS PER ROW}) \times 1.27 + 0.60$
 $(\text{NO. OF POSITIONS PER ROW}) \times 0.050 + 0.024$
 $C = (\text{NO. OF POSITIONS PER ROW} - 1) \times 1.27$
 $(\text{NO. OF POSITIONS PER ROW} - 1) \times 0.050$
 $D = (\text{NO. OF POSITIONS PER ROW} - 1) \times 1.27 + 3.04$
 $(\text{NO. OF POSITIONS PER ROW} - 1) \times 0.050 + 1.20$



RECOMMEND P.C.B. LAYOUT
TOP VIEW

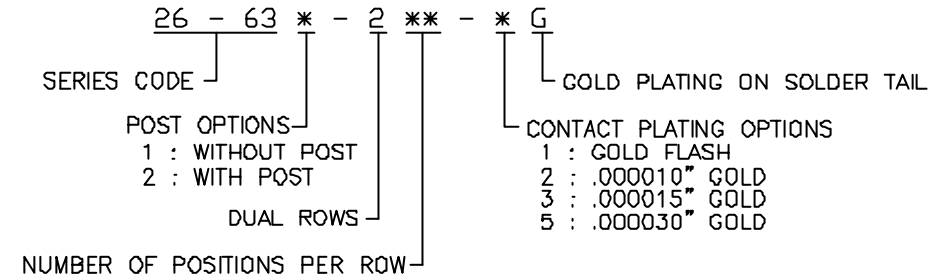
MATERIALS

- HOUSING : NYLON 6T (UL 94V-0), BLACK.
- TERMINAL : S.G. 0.40mm COPPER ALLOY.

SPECIFICATION

- CURRENT RATING : 1 AMP. MAX.
- DIELECTRIC WITHSTANDING VOLTAGE : 500V AC R.M.S. FOR ONE MINUTE.
- INSULATION RESISTANCE : 5000M OHMS MIN. AT 500V DC.
- OPERATING TEMPERATURE : -55°C TO +105°C.
- MAX. PROCESSING TEMP. : 230°C FOR 30 ~ 60 SECONDS.

ORDER INFORMATION :



TOLERANCE .0=±.0.30 [.012] .00=±.0.20 [.008] .000=±.xxx .0000=±. ANG.=±3°	DRAWER <i>Katherine</i> CHECK <i>See</i> APP'D <i>Wisely</i>	Astron ASTRON TECHNOLOGY CORP. NAME SHROUDED HEADER P.C.B. MOUNT, SMT TYPE 1.27mm PITCH
 UNITS : mm [inch] 317-0009	PRODUCT SPEC. —	
SCALE NONE SIZE A4	SHEET 1 OF 1 REV. A	DRAW NO. C326-6301