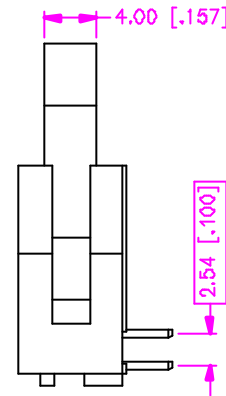
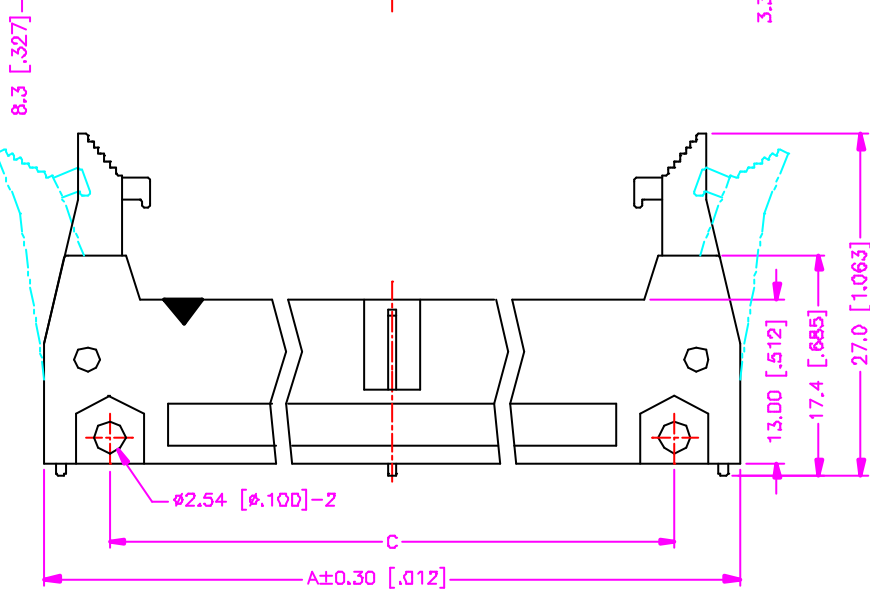
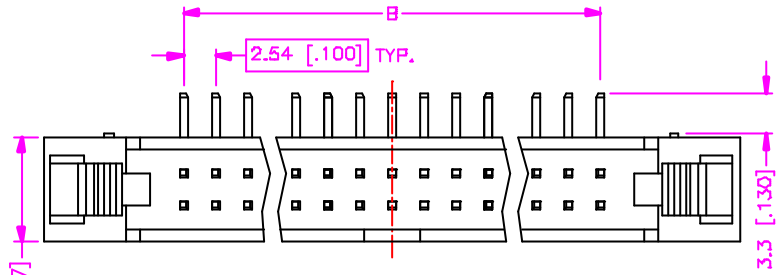


REV.	DESCRIPTION	DATE
—	RELEASE	Aug. 05 2002
1		
2		



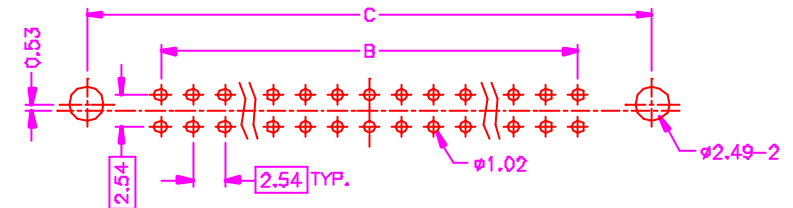
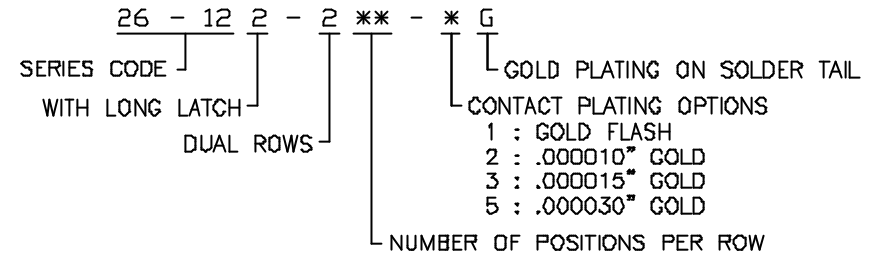
MATERIALS

1. HOUSING : THERMOPLASTIC (UL 94V-0), BLACK.
2. TERMINAL : S.Q. 0.64mm BRASS.

SPECIFICATION

1. CURRENT RATING : 3 AMP. MAX.
2. DIELECTRIC WITHSTANDING VOLTAGE : 1000V AC R.M.S. FOR ONE MINUTE.
3. INSULATION RESISTANCE : 5000M OHMS MIN. AT 1000V DC.
4. OPERATING TEMPERATURE : -55°C TO +105°C.

ORDER INFORMATION :



**RECOMMEND P.G.B. LAYOUT
BOTTOM VIEW**

Number Of Position	DIMENSIONS			Number Of Position	DIMENSIONS		
	A	B	C		A	B	C
10	32.00[1.260]	10.16[.400]	21.84[.860]	34	62.48[2.460]	40.64[1.600]	52.32[2.060]
14	37.08[1.460]	15.24[.600]	26.92[1.060]	36	65.02[2.560]	43.18[1.700]	54.86[2.160]
16	39.62[1.560]	17.78[.700]	29.46[1.160]	40	70.19[2.760]	48.26[1.900]	59.94[2.360]
20	44.70[1.760]	22.86[.900]	34.54[1.360]	50	82.80[3.260]	60.96[2.400]	72.64[2.860]
24	49.78[1.960]	27.94[1.100]	39.62[1.560]	60	95.50[3.760]	73.66[2.900]	85.34[3.360]
26	52.32[2.060]	30.48[1.200]	42.16[1.660]	64	100.58[3.960]	78.74[3.100]	90.42[3.560]
30	57.40[2.260]	35.56[1.400]	47.24[1.860]	—	—	—	—

TOLERANCE .0±0.30 [.012] .00±0.20 [.008] .000±.XXX .0000±. ANG.±3°	DRAWER <i>FUB</i> CHECK <i>Katherlin</i> APP'D <i>ALX</i>	<p>ASTRON TECHNOLOGY CORP.</p>		
<p>UNITS : mm [Inch]</p>	<p>PRODUCT SPEC. —</p>		<p>NAME SHROUDED HEADER 2.54mm PITCH, P.C.B. MOUNT R/A, EJECTOR TYPE (LONG LATCH)</p>	
SCALE NONE	SIZE A4	SHEET 1 OF 1	REV. A	DRAW NO. C326-1203
				09001