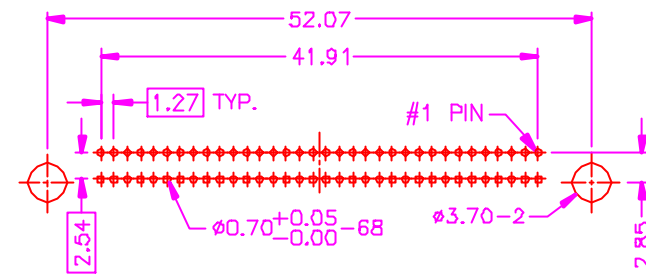
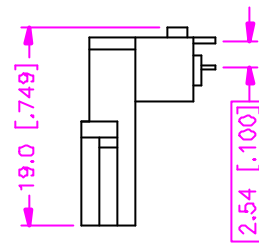
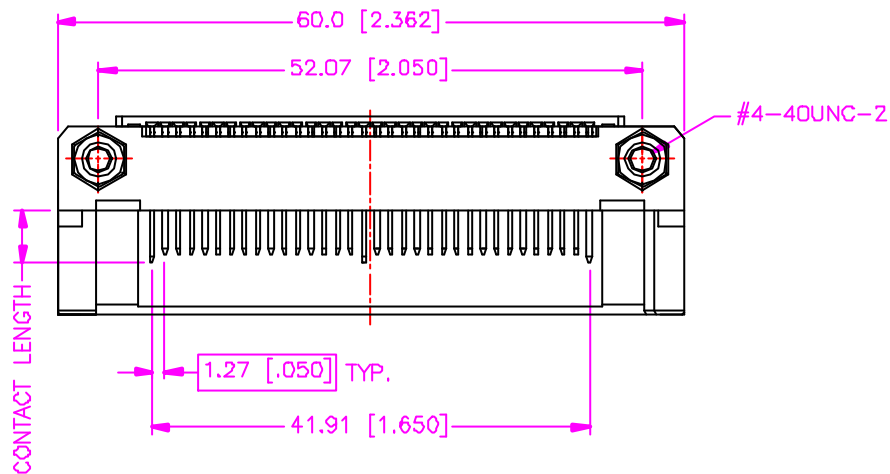
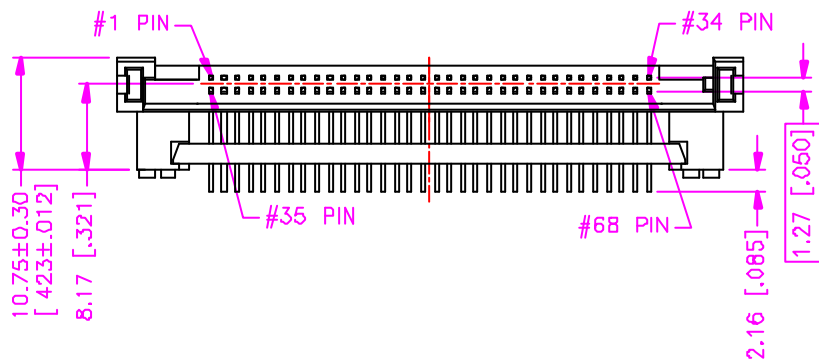


REV.	DESCRIPTION	DATE
—	RELEASE	Jul. 25, 2001
1	LAYOUT MODIFY	Sep 4, 2001
2		



RECOMMEND P C B. LAYOUT  
BOTTOM VIEW



### ORDER INFORMATION :

54 - 71 11 A - 68

SERIES CODE

NUMBER OF POSITIONS  
WITHOUT SUPPORT & EJECTOR

TYPE 11

### MATERIALS

1. HOUSING : THERMOPLASTIC (UL 94V-0), BLACK.
2. TERMINAL : COPPER ALLOY, GOLD PLATING ON CONTACT AREA, TIN PLATING ON SOLDER TAIL.

### SPECIFICATION

1. CURRENT RATING : 0.5 AMP. MAX.
2. DIELECTRIC WITHSTANDING VOLTAGE . 500V AC R.M.S. FOR ONE MINUTE.
3. INSULATION RESISTANCE : 1000M OHMS MIN. AT 500V DC.
4. OPERATING TEMPERATURE . -40°C TO +85°C.

PIN NUMBER	CONTACT LENGTH ± 0.15 [±.006]
36, 67	3.50 [.138]
ALL OTHER PINS	4.25 [.167]
1, 17, 34, 35, 51, 68	5.00 [.197]

TOLERANCE .0 ± .0.30 [.012] .00 ± .0.20 [.008] .000 ± .XXX ANG. ± 3°	DRAWER <i>Katherine</i>	 <b>ASTRON TECHNOLOGY CORP.</b> NAME MEMORY CARD PC CARD, 1.27mm PITCH P.C B. MOUNT, MALE	
	CHECK <i>Sue</i>		DRAW NO. C254-7118
 UNITS : mm [Inch]	APP'D <i>ALBT</i>		SHEET 1 OF 1
SCALE NONE	REV. B		10018