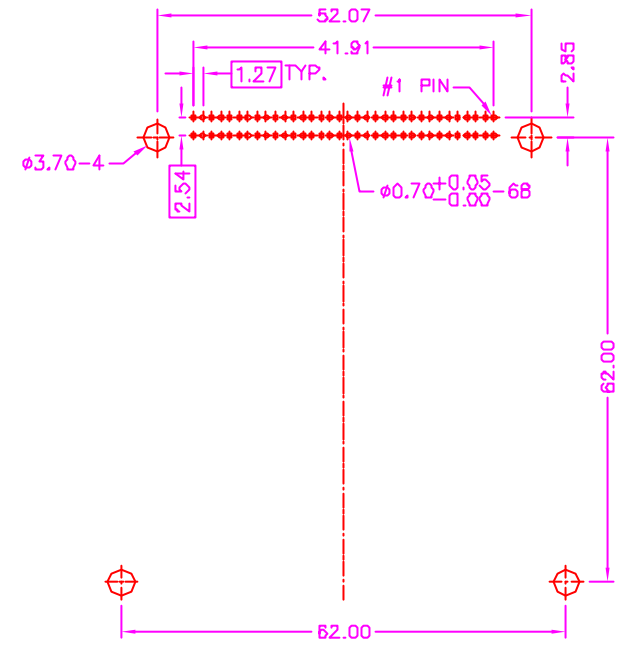
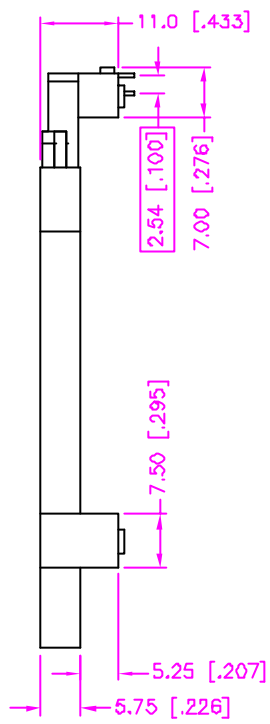
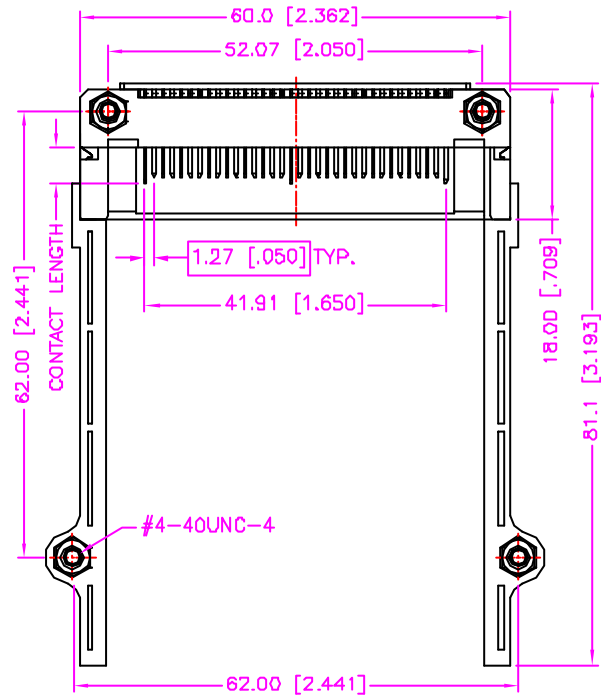
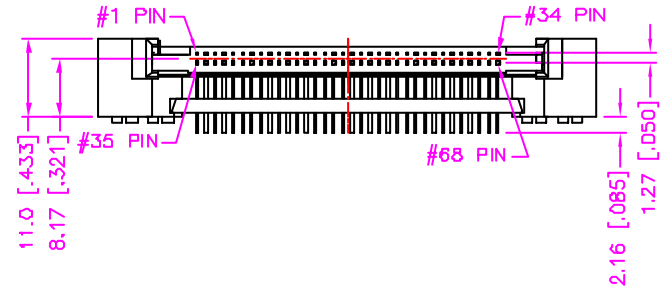


REV.	DESCRIPTION	DATE
—	RELEASE	Jul. 24, 2001
1	LAYOUT MODIFY	Sep. 4, 2001
2	DRAW MODIFY	Nov. 20, 2001
3	DRAW MODIFY	Jul. 04, 2002



RECOMMEND P.C.B. LAYOUT
BOTTOM VIEW



ORDER INFORMATION :

54 - 71 11 - 68
 SERIES CODE ————— NUMBER OF POSITIONS
 TYPE 11

MATERIALS

1. HOUSING : THERMOPLASTIC (UL 94V-0), BLACK.
2. SUPPORT : THERMOPLASTIC (UL 94V-0), BLACK.
3. TERMINAL : COPPER ALLOY, GOLD PLATING ON CONTACT AREA, TIN PLATING ON SOLDER TAIL.

SPECIFICATION

1. CURRENT RATING : 0.5 AMP. MAX.
2. DIELECTRIC WITHSTANDING VOLTAGE : 500V AC R.M.S. FOR ONE MINUTE.
3. INSULATION RESISTANCE : 1000M OHMS MIN. AT 500V DC.
4. OPERATING TEMPERATURE : -40°C TO +85°C.

PIN NUMBER	CONTACT LENGTH±0.15 [±.006]
36, 67	3.50 [.138]
ALL OTHER PINS	4.25 [.167]
1, 17, 34, 35, 51, 68	5.00 [.197]

TOLERANCE .0=±.0.30 [.012] .00=±0.20 [.008] .000=±.XXX .0000=±. ANG.=±3°	DRAWER <i>Katherine</i>	ASTRON TECHNOLOGY CORP.
	CHECK <i>Sue</i>	
UNITS : mm [Inch]	APP'D <i>WJPELV</i>	PC CARD, 1.27mm PITCH P.C.B. MOUNT, MALE
	PRODUCT SPEC. —	DRAW NO. C254-7117
SCALE NONE	SIZE A4	SHEET 1 OF 1
REV. D	10018	