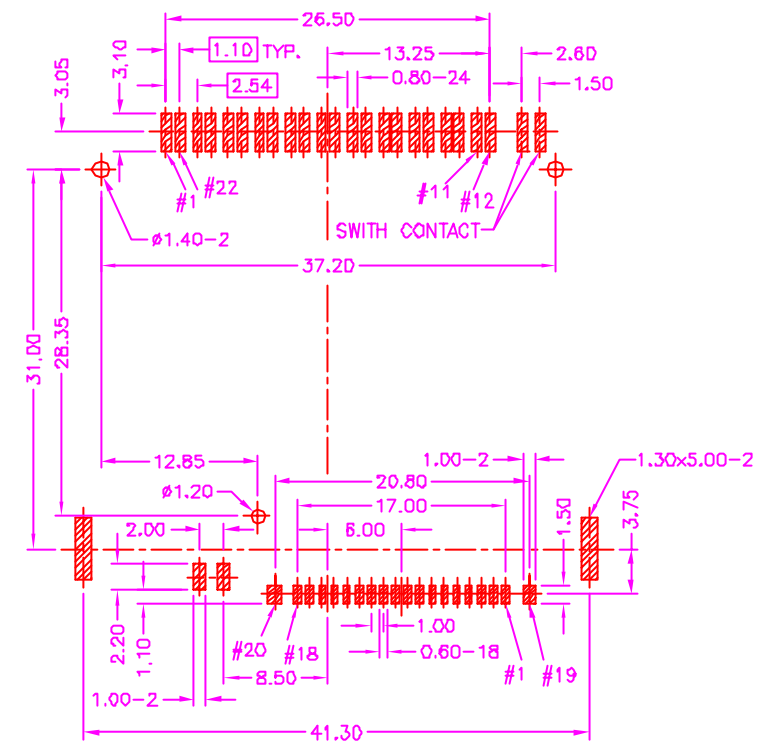
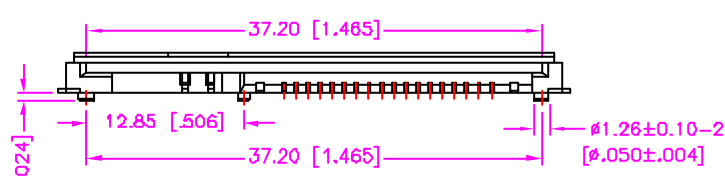
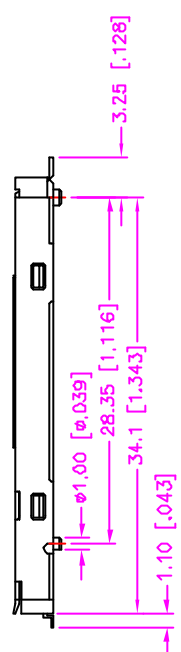
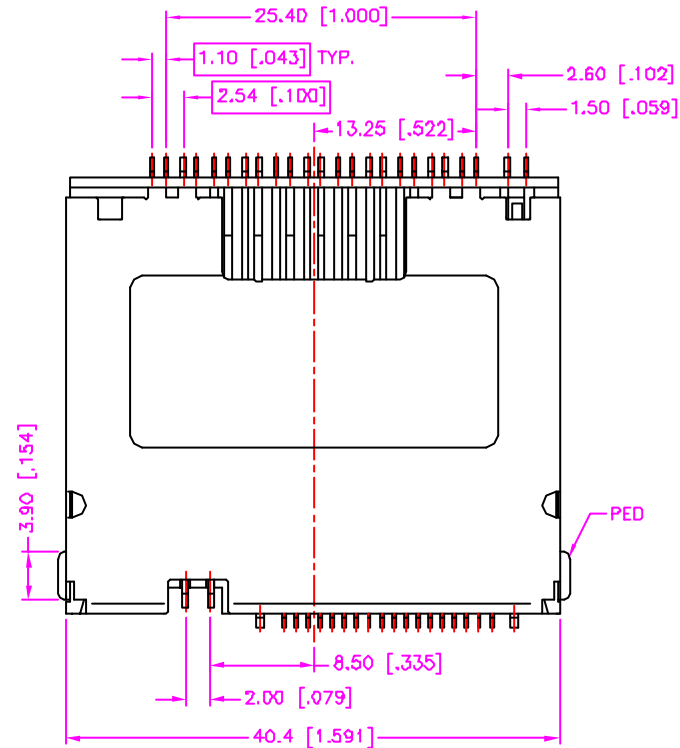


REV.	DESCRIPTION	DATE
A	RELEASE	Jan. 06, 2004
B		
C		



RECOMMEND P.C.B. LAYOUT
TOP VIEW

ORDER INFORMATION :

54 - 41 01 - 42
 SERIES CODE NUMBER OF POSITIONS
 TYPE 01

MATERIALS

- HOUSING : HI.-TEMP. PLASTIC (UL 94V-0).
- TERMINAL : PHOSPHOR BRONZE, GOLD PLATING ON CONTACT AREA, TIN/LEAD PLATING ON SOLDER TAIL. (t=D.20mm)
- SHELL : BRASS, NICKEL PLATING, GOLD PLATING ON PED. (t=0.30mm)

SPECIFICATION

- CURRENT RATING : 0.5 AMP. MAX.
- DIELECTRIC WITHSTANDING VOLTAGE : 250V AC R.M.S. FOR ONE MINUTE.
- INSULATION RESISTANCE : 1000M OHMS MIN. AT 100V DC.
- CONTACT RESISTANCE : 40m OHMS MAX.
- OPERATING TEMPERATURE : -25°C TO +85°C.
- MAX. PROCESSING TEMP. : 230°C FOR 30 ~ 60 SECONDS.
- DURABILITY : 10000 CYCLES.

TOLERANCE .0=±0.30 [.012] .00=±0.20 [.008] .000=±.xxx .0000=±. ANG.=±3'	DRAWER <i>PUB</i>	ASTRON TECHNOLOGY CORP.
	CHECK <i>Katherlin</i>	
UNITS : mm [Inch]	APP'D <i>LFOV</i>	SM+XD 2 IN 1 FOR 1CAV NORMAL TYPE
	PRODUCT SPEC. —	DRAW NO. C254-4101
SCALE NONE	SIZE A4	SHEET 1 OF 1
		REV. A
		02003