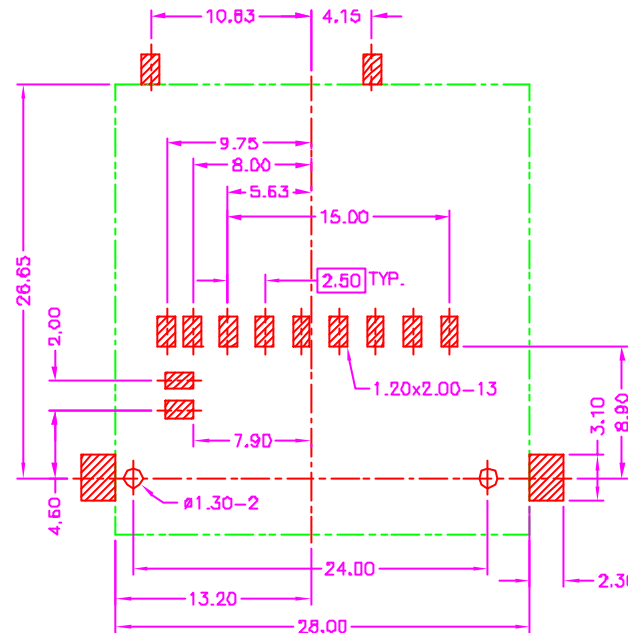
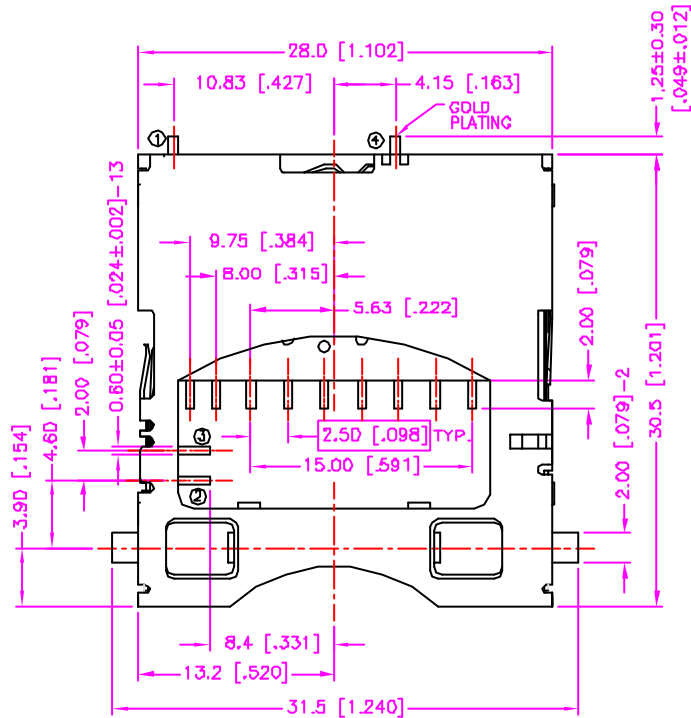
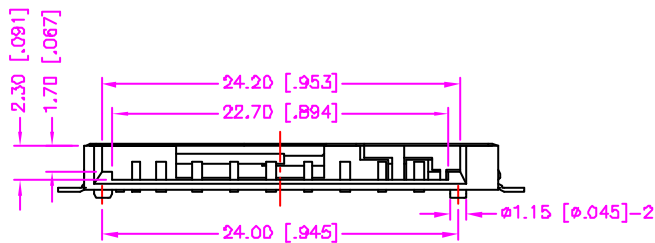
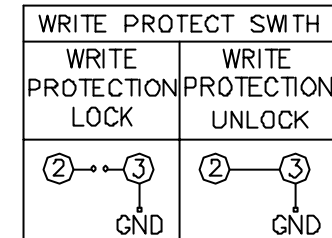
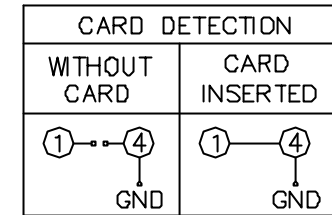


REV.	DESCRIPTION	DATE
—	RELEASE	Dec. 18, 2002
a	DRAW MODIFY	Jan. 02, 2003
c	DRAW MODIFY	Jan. 05, 2004



RECOMMEND P.C.B. LAYOUT
TOP VIEW



MATERIALS

- HOUSING : HI.-TEMP. PLASTIC (UL 94V-0), BLACK.
- TERMINAL : COPPER ALLOY, GOLD PLATING ON CONTACT, TIN/LEAD PLATING ON SOLDER TAIL.
- SHELL : STAINLESS STEEL

SPECIFICATION

- CURRENT RATING : 0.5 AMP. MAX.
- DIELECTRIC WITHSTANDING VOLTAGE : 500V AC R.M.S. FOR ONE MINUTE.
- INSULATION RESISTANCE : 1000M OHMS MIN. AT 500V DC.
- CONTACT RESISTANCE : 100m OHMS MAX.
- OPERATING TEMPERATURE : -25°C TO +85°C.
- MAX. PROCESSING TEMP. : 230°C FOR 30 ~ 60 SECONDS.

ORDER INFORMATION

54 - 21 08 - 9

SERIES CODE

NUMBER OF POSITIONS

TYPE 08

TOLERANCE .0=±0.30 [.012] .00=±0.20 [.008] .000=±0.10 [.004] .0000=±. ANG.=±3°	DRAWER <i>PUB</i>	 ASTRON TECHNOLOGY CORP.
	CHECK <i>Katherton</i>	
 UNITS : mm [inch]	APP'D <i>ESON</i>	SD READER CONNECTOR P.C.B. MOUNT, SMT TYPE (PUSH - PUSH TYPE)
	PRODUCT SPEC. —	DRAW NO. C254-2107
SCALE NONE	SIZE A4	SHEET 1 OF 1
		REV. C
		10019