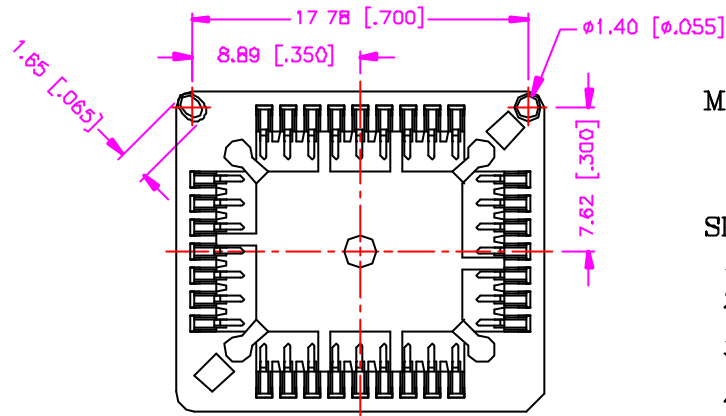
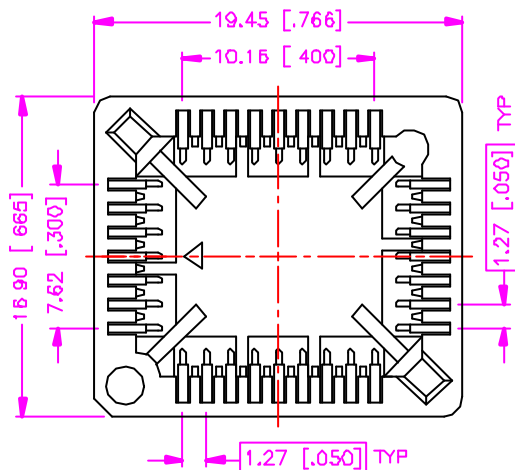
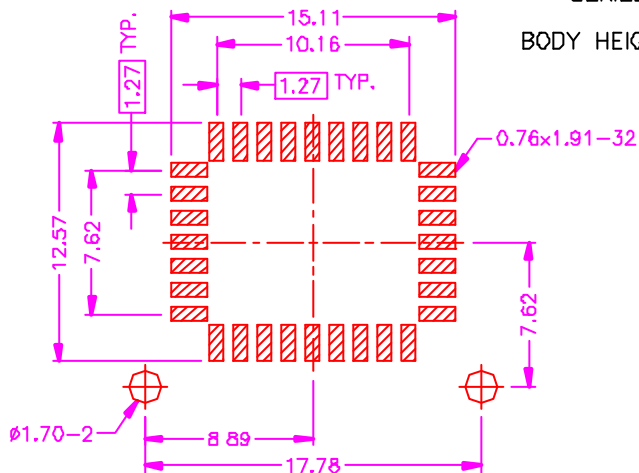
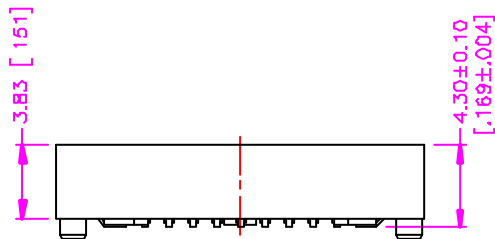


REV.	DESCRIPTION	DATE
—	RELEASE	Sep. 4, 2001
1		
2		



BOTTOM VIEW



RECOMMEND P.C.B LAYOUT
TOP VIEW

MATERIALS

1. HOUSING : HI.-TEMP. PLASTIC (UL 94V-0).
2. TERMINAL : PHOSPHOR BRONZE, TIN PLATING.
(t=0.17mm)

SPECIFICATION

1. CURRENT RATING : 1 AMP. MAX.
2. DIELECTRIC WITHSTANDING VOLTAGE :
600V AC R.M.S FOR ONE MINUTE.
3. INSULATION RESISTANCE : 1000M OHMS MIN.
AT 500V DC
4. CONTACT RESISTANCE : 30m OHMS MAX.
5. OPERATING TEMPERATURE : -55°C TO +105°C.
6. CAPACITANCE : 1PF.
7. MAX. PROCESSING TEMP. :
230°C FOR 30~60 SECONDS.

ORDER INFORMATION

40 - 32 2 2 - 32 N - **

SERIES CODE —
 BODY HEIGHT — 4.30mm
 WITH POST —
 PACKAGE OPTIONS
 BLANK : TUBE PACKAGE
 TR : TAPE & REEL PACKAGE
 BROWN IN HOUSING COLOR
 TOTAL NUMBER OF POSITIONS

TOLERANCE .0=±.30 [.012] .00=±.20 [.008] .000=±.XXX .0000=±. ANG.=±3°	DRAWER <i>Katherine</i>	Astron ASTRON TECHNOLOGY CORP
	CHECK <i>JUB</i>	
UNITS : mm [inch]	APP'D <i>ALB</i>	DRAW NO. C240-3204
	PRODUCT SPEC. —	REV. A
SCALE NONE	SIZE A4	SHEET 1 OF 1
		REV. A
		D9008