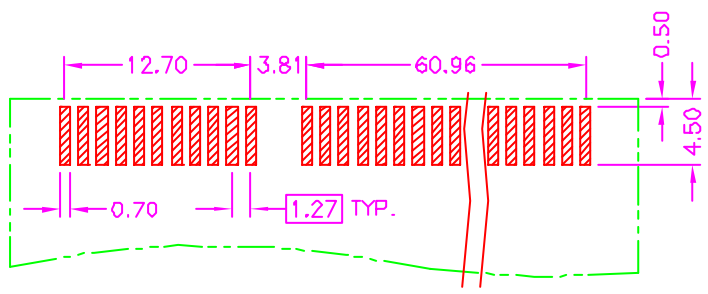
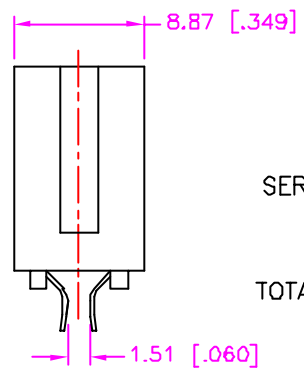
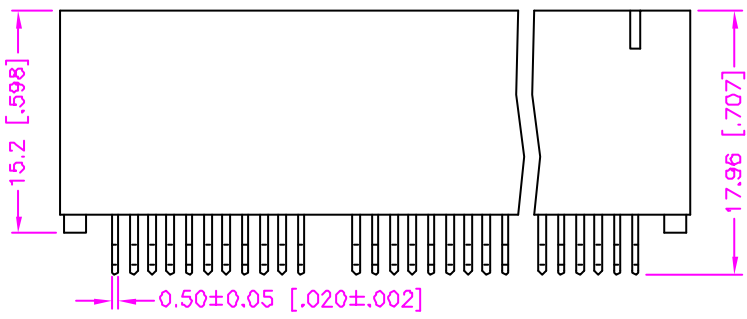
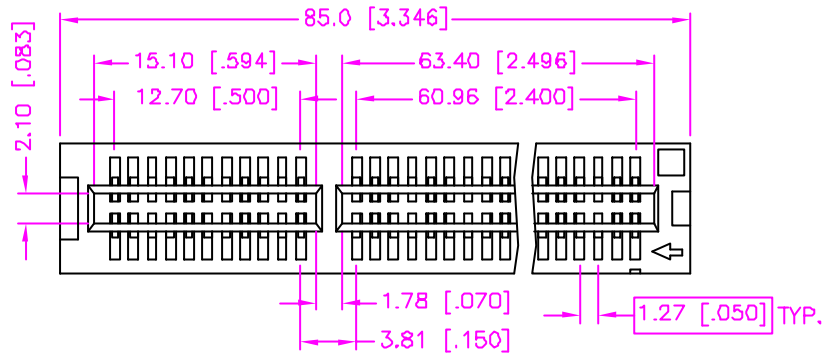


REV.	DESCRIPTION	DATE
—	RELEASE	Jan. 18, 2001
1	MATERIAL MODIFY	Jun. 1, 2001
2	MATERIAL MODIFY	May. 14, 2003



RECOMMEND P.C.B. LAYOUT
BOTH SIDES

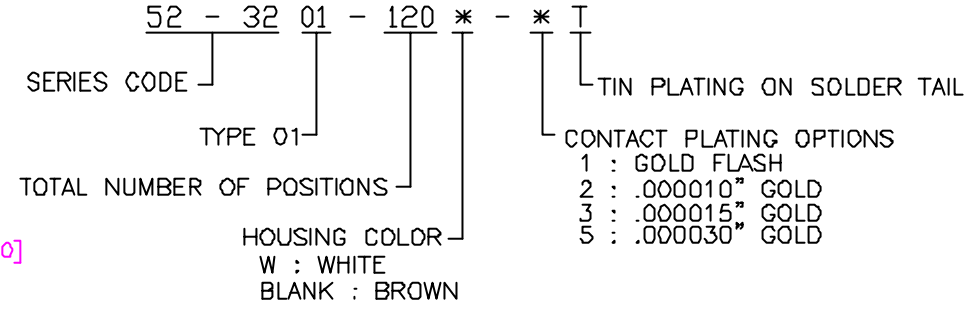
MATERIALS


1. HOUSING : POLYAMIDE (UL 94V-0).
2. TERMINAL : COPPER ALLOY. (t=0.30mm)

SPECIFICATION

1. CURRENT RATING : 1 AMP. MAX.
2. DIELECTRIC WITHSTANDING VOLTAGE : 500V AC R.M.S. FOR ONE MINUTE.
3. INSULATION RESISTANCE : 1000M OHMS MIN. AT 500V DC.
4. CONTACT RESISTANCE : 30m OHMS MAX.
5. OPERATING TEMPERATURE : -55°C TO +105°C.

ORDER INFORMATION :



TOLERANCE .0=±0.30 [.012] .00=±0.20 [.008] .000=±.XXX .0000=±. ANG.=±3°	DRAWER <i>MUS</i>	Astron ASTRON TECHNOLOGY CORP. NAME CARD EDGE CONNECTOR 1.27mm PITCH P.C.B. STRADDLE MOUNT VERTICAL, 1 KEY (PCI)
	CHECK <i>ZFON</i>	
	PRODUCT SPEC. —	DRAW NO. C152-3201
UNITS : mm [inch]	SCALE NONE SIZE A4	SHEET 1 OF 1 REV. C 05001